

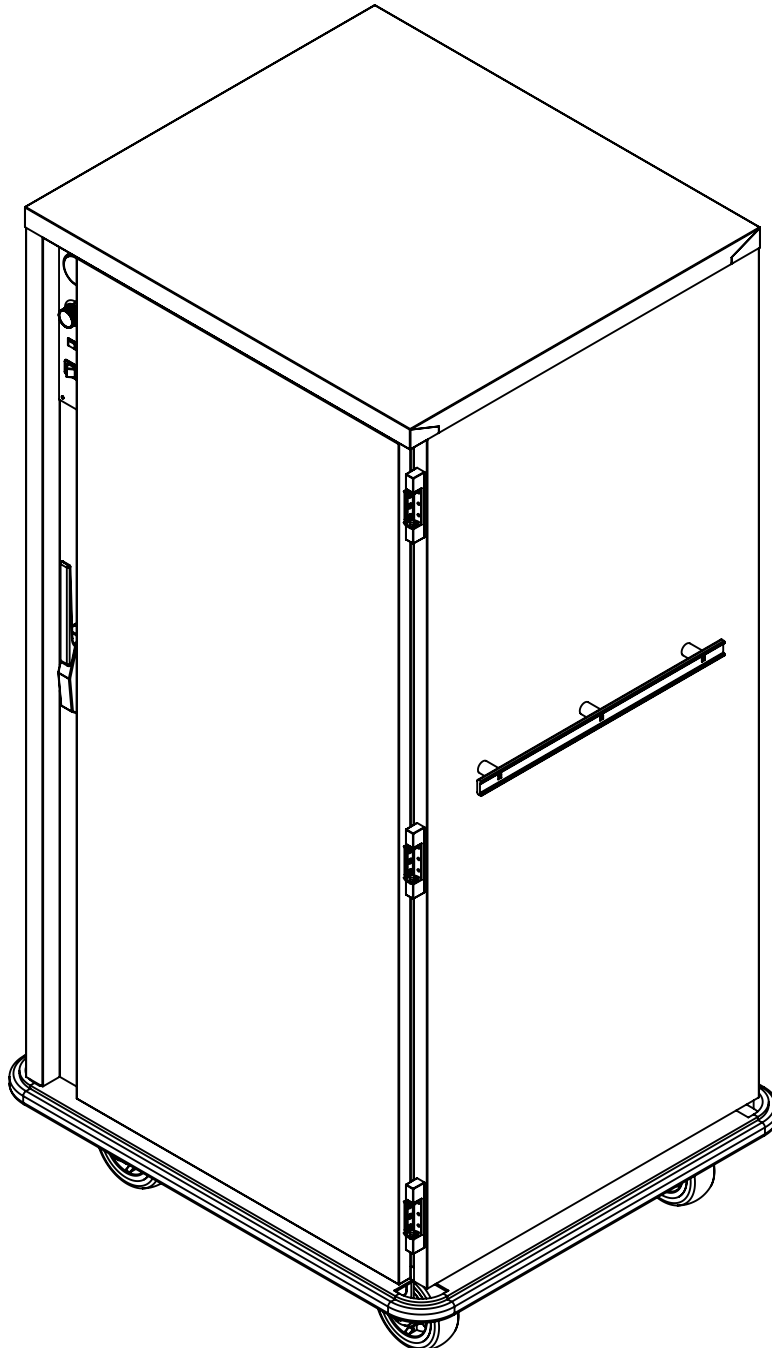


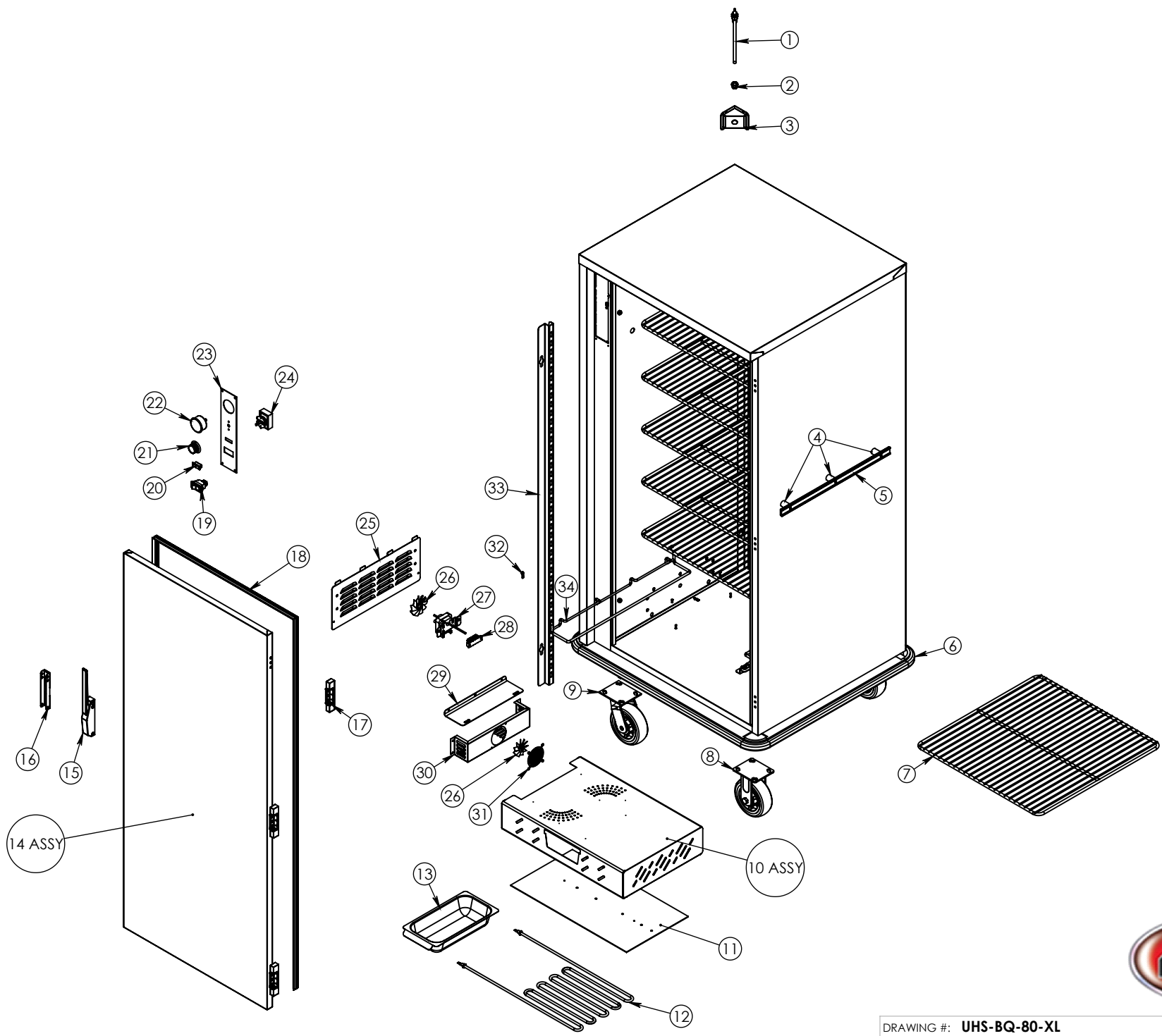
5599 Highway 31 West
Portland, TN 37148
(615)325-2774

UHS-BQ-80-XL

Pg.1 . TITLE PAGE Pg.3 . UHS-BQ-80-XL BOM

Pg.2 . UHS-BQ-80-XL





DRAWING #: UHS-BQ-80-XL	
DESCRIPTION: DUAL PURPOSE SERVER	
DRAWN BY: OH	LAST SAVED BY: ohooks

ITEM NO	QTY.	PART NO.	DESCRIPTION
1	1	CRDSET10-115	CORD 12' 115V 5-15P 14GA 3WR 15AMP
2	1	BSH STRN 3	STRAIN RELIEF FOR 15 AMP CORD
3	1	69729	HUMI TRI-CORD BRCKET DD .672X .750
4	6	SPCR125X.330	HANDLE SPACERS FOR HDL 21 AND 12.
5	2	HDL-215-AL	HANDLE PUSH AL 21.5
6	1	Z-200-1159	UHS-BQ-80XL BUMPER ASSEMBLY
7	6	SHLF-P60X	SHLF-P60X
8	2	CSTR 62-R-PPF	CASTER 6" RIGID EZ ROLL POLY
9	2	CSTR 62-SB-PPF	CASTER 6" SWIVEL BRAKE EZ ROLL POLY
10	1	Z-600-1372(INCLUDES 13)	UHS-BQ-80 WATER PAN TUNNEL
11	1	51296	UHS-BQ-80-XL HEATING ELEMENT COVER
12	1	EL1500-115A	ELEMENT 1500 WATT 115 VOLT 24" HT
13	1	WATER-PAN-3RD-WHDL	WATER PAN 2.5" X6.75 X
14	1	Z-301-4545(INCLUDES 15-17)	UHS-BQ-80-XL DOOR ASSY 3EDG/EDG RH
15	1	LTH-DR	DOOR LATCH EDGEMOUNT STYLE CHROME
16	1	81004	LTH-DR LATCH COVER NSF
17	1	HNG-214	DOOR HINGE EDGEMOUNT .875"
18	1	GSKT-D-63-813X28-125	SILICON DR GSKT D 63.8125X28.125 3S
19	1	SWH RCK E1	SWITCH NON-LT ROCKER 125/250V 20AMP
20	1	LTPLT A-G	INDICATOR LIGHT AMBER GREEN 125V
21	1	KNB H6	KNOB WITH ARROW
22	1	T-METER H1	THERMOMETER 100-220
23	1	CNTRL-PNL-HUMI-TEMP-AL	ALUM PANEL FOR HUMI-TEMP
24	1	T-STAT H1	THERMOMSTAT HEAT CONTRL 90-190 36"
25	1	53454	HUMITEMP LOUVER PANEL W/TABS
26	1	BLD FAN AL	FAN BLADE 3" ALUMINUM
27	1	Z-600-6151	MTR BY120 92 SERVICE ASSY
28	1	TRM 4QC	TERMINAL BLOCK 4QC
29	1	4041	HUMITEMP BLOWER LID
30	1	5345	HUMITEMP BLOWER HSING
31	1	GRD FAN	FAN GUARD
32	1	CLP-AL1-4	CLAMP 1-4" ALUM
33	1	4501	UHSBQ-80XL UPRIGHT
34	4	SLD TS245	TRAY SLIDE NICKEL PLATED 18X26



DRAWING #: **UHS-BQ-80-XL**

DESCRIPTION: **UNIVERSAL SERVER**

DRAWN BY: OH

LAST SAVED BY: ohooks