



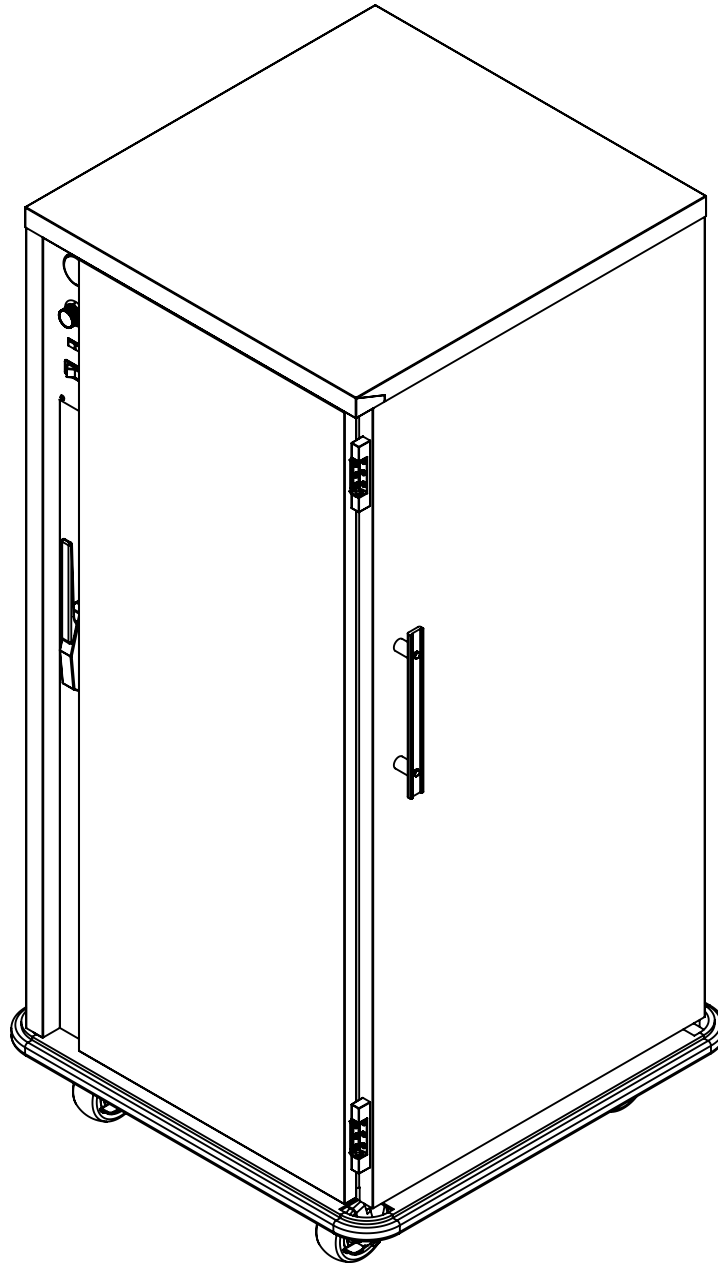
5599 Highway 31 West  
Portland, TN 37148  
(615)325-2774

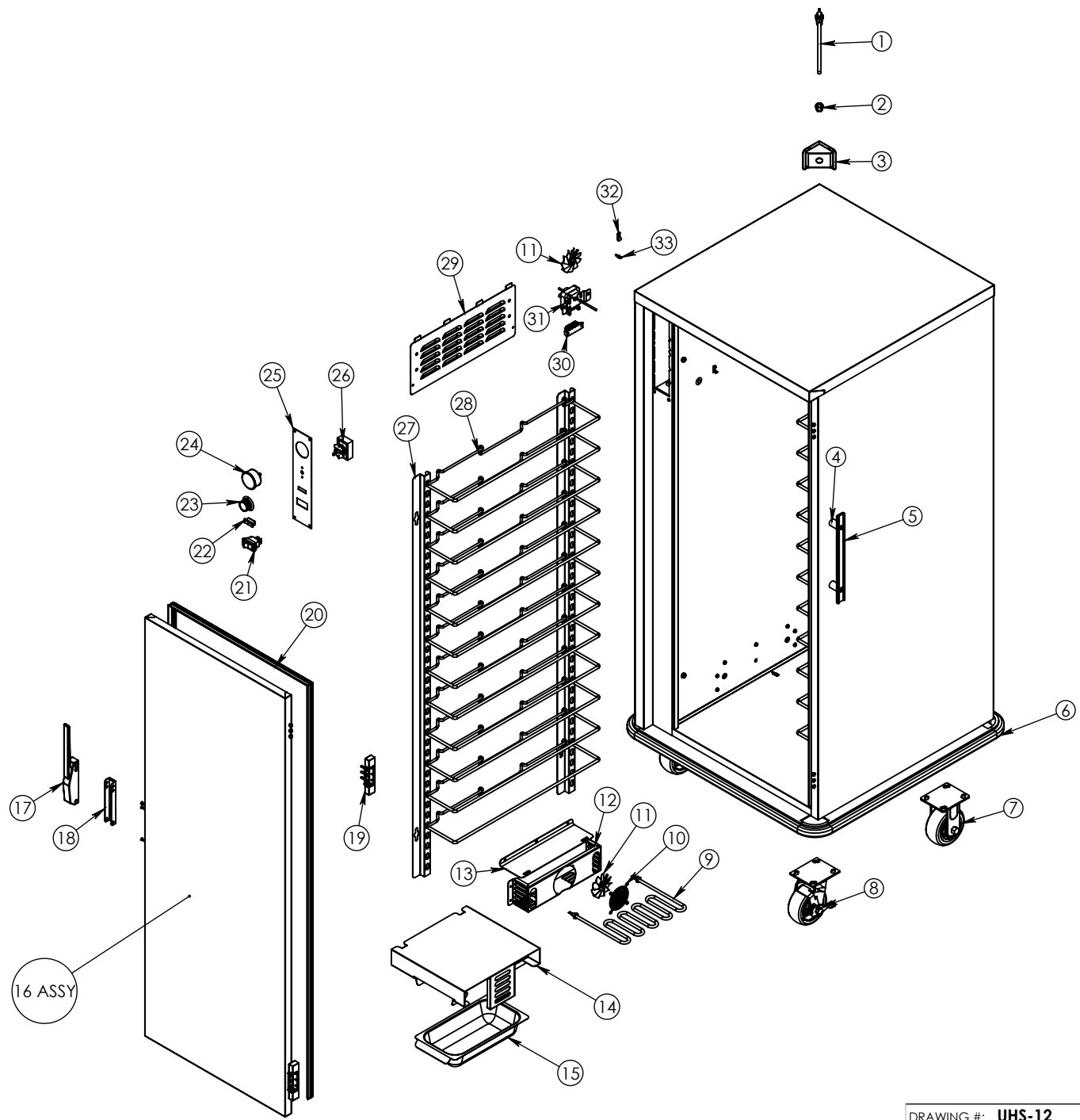
# UHS-12

Pg.1 . TITLE PAGE

Pg.3 . UHS-12 BOM

Pg.2 . UHS-12





DRAWING #: <b>UHS-12</b>	
DESCRIPTION: <b>UNIVERSAL SERVER</b>	
DRAWN BY: OH	LAST SAVED BY: ohooks

ITEM NO	QTY.	PART NO.	DESCRIPTION
1	1	CRDSET10-115	CORD 12' 115V 5-15P 14GA 3WR 15AMP
2	1	BSH STRN 3	STRAIN RELIEF FOR 15 AMP CORD
3	1	69729	HUMI TRI-CORD BRCKET DD .672X .750
4	2	SPCR125X.330	HANDLE SPACERS FOR HDL 21 AND 12.
5	1	HDL-125-AL	HANDLE PUSH ALUMINUM 12.5" LONG
6	1	Z-200-1564	UHS-12 BUMPER ASSY
7	2	CSTR 52-R-PPF	CASTER 5" RIGID EZ ROLL POLY
8	2	CSTR 52-SB-PPF	CASTER 5" SWIVEL BRAKE EZ ROLL POLY
9	1	EL1250-120-HT	ELEMENT 1250 WATT 120 VOLT 8" HT
10	1	GRD FAN	FAN GUARD
11	2	BLD FAN AL	FAN BLADE 3" ALUMINUM
12	1	4011	HUMITEMP BLOWER HOUSING
13	1	4041	HUMITEMP BLOWER LID
14	1	58408	HUMITEMP TUNNEL ASSEMBLY 12" R.H.
15	1	WATER-PAN-3RD-WHDL	WATER PAN 2.5" X6.75 X
16	1	Z-301-3616(INCLUDES 17-19)	UHS-12 DOOR ASSY EDG/EDG RH-FR
17	1	LTH-DR	DOOR LATCH EDGEMOUNT STYLE CHROME
18	1	81004	LTH-DR LATCH COVER NSF
19	2	HNG-214	DOOR HINGE EDGEMOUNT .875"
20	1	GSKT-D-60X23-375	SILICONE DR GASKET D 60X23.375 3S
21	1	SWH RCK E1	SWITCH NON-LT ROCKER 125/250V 20AMP
22	1	LT PLT A-G	INDICATOR LIGHT AMBER GREEN 125V
23	1	KNB H6	KNOB WITH ARROW
24	1	T-METER H1	THERMOMETER 100-220
25	1	CNTRL-PNL-HUMI-TEMP-AL	ALUM PANEL FOR HUMI-TEMP
26	1	T-STAT H1	THERMOMSTAT HEAT CNTRL 90-190 36"
27	4	53114	UHS-12 UPRIGHT 1.5" SPACING
28	24	SLD UHS245	TRAY SLIDE NICKEL PLATED UHS
29	1	53454	HUMITEMP LOUVER PANEL W/TABS
30	1	TRM 4QC	TERMINAL BLOCK 4QC
31	1	Z-600-6151	MTR BY120 92 SERVICE ASSY
32	2	CLP-AL3-8	CLAMP 3-8" ALUM
33	2	S8X8THUM	SCRW #8x.5TY.A SS T32-5020



DRAWING #: **UHS-12**

DESCRIPTION: **UNIVERSAL SERVER**

DRAWN BY: OH

LAST SAVED BY: ohooks