



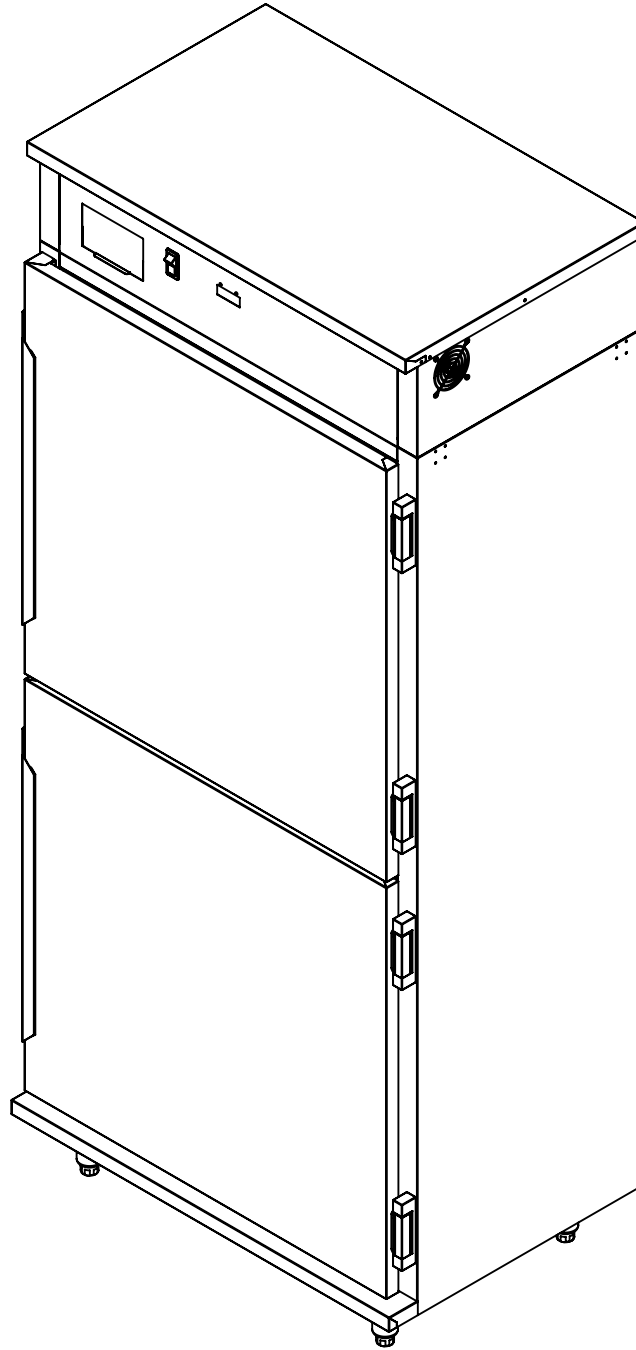
5599 Highway 31 West
Portland, TN 37148
(615)325-2774

TST-19SL-TB

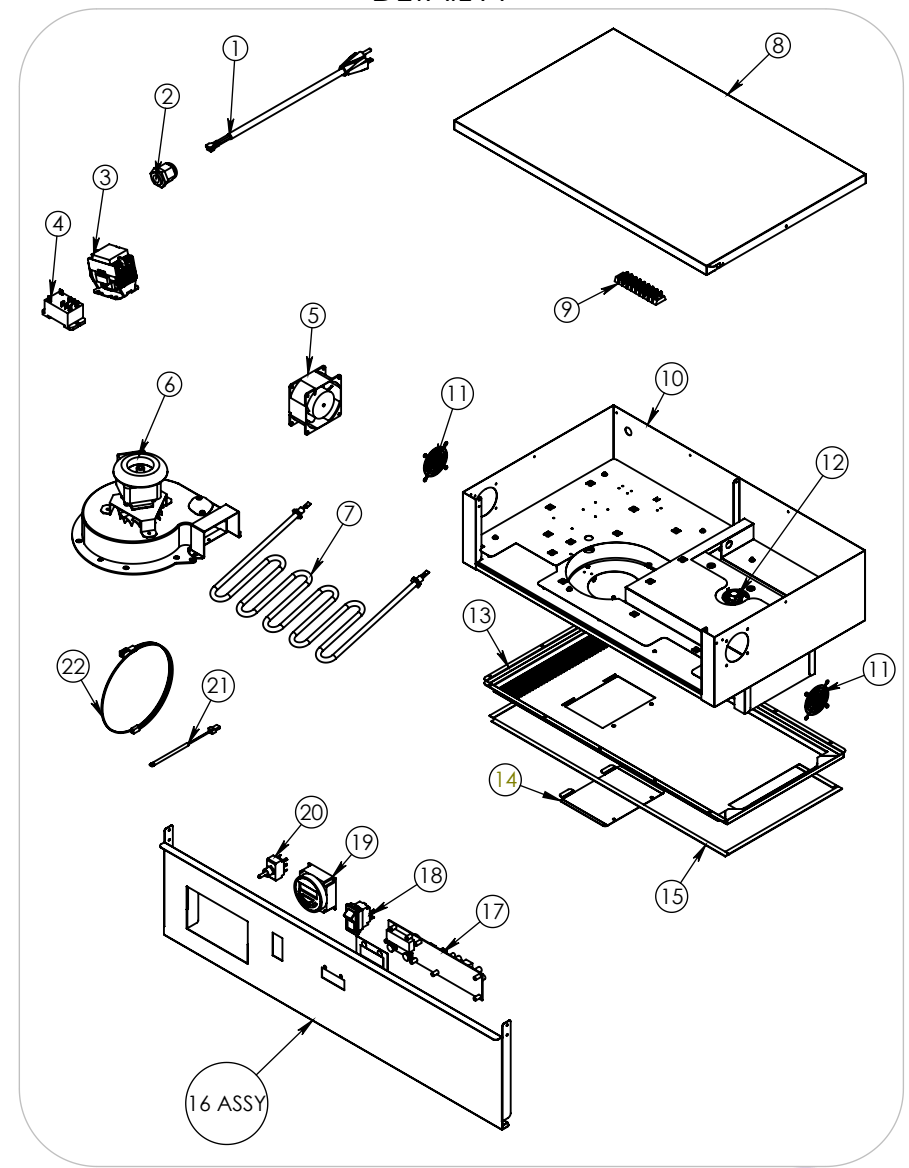
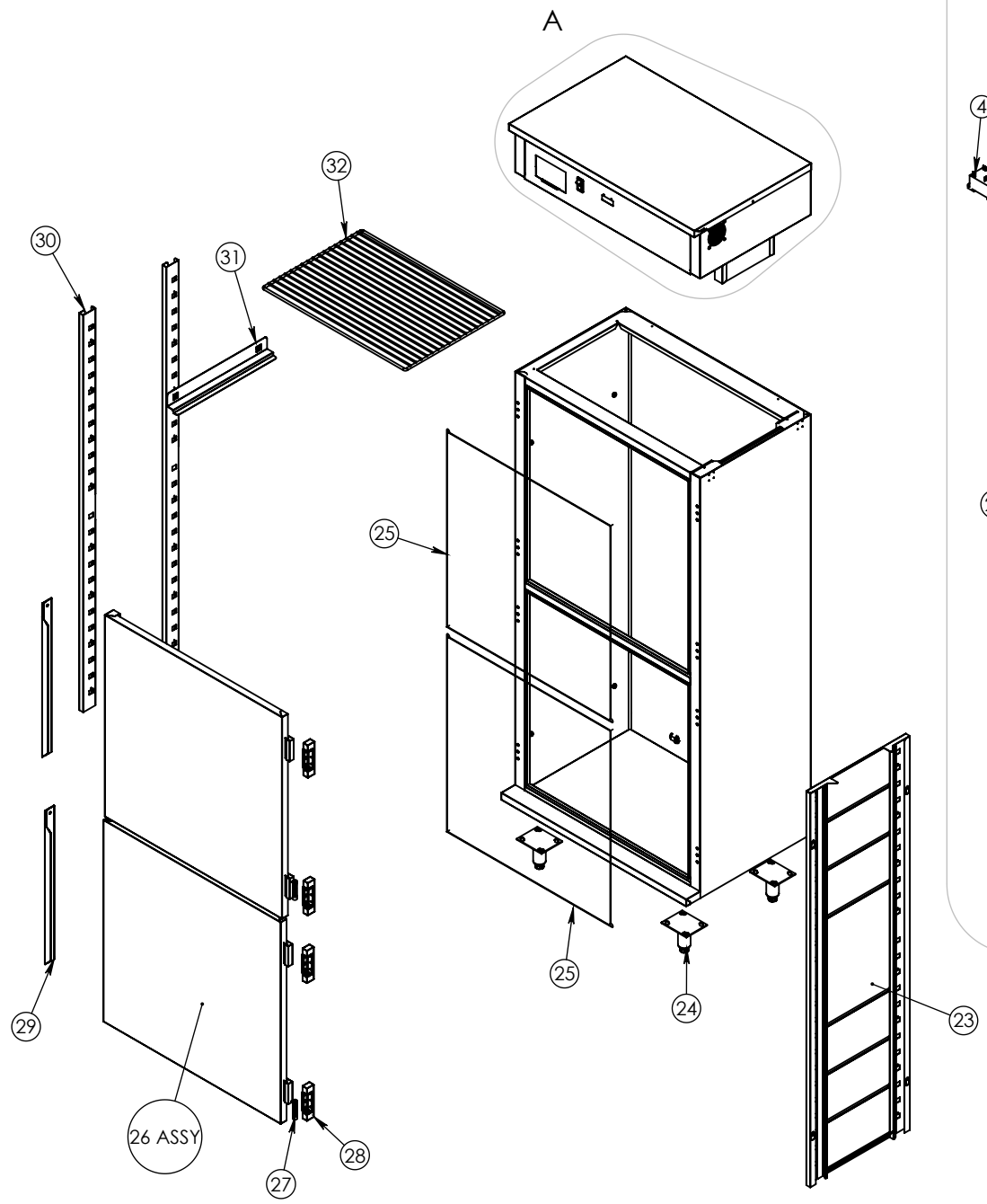
Pg.1 . TITLE PAGE

Pg.3 . TST-19SL-TB BOM

Pg.2 . TST-19SL-TB



DETAIL A



DRAWING #: TST-19SL-TB	
DESCRIPTION: TRAY SERVER TOP MOUNT BLWR	
DRAWN BY: OH	LAST SAVED BY: ohooks

ITEM NO.	QTY.	PART NO.	DESCRIPTION
1	1	CRDSET20-115	CORD 12' 115 VOLT 5-20P 12GA 3 WIRE
2	1	STRN RELIEF LTF 13.5	STRAIN RELIEF HEYCO 3216
3	1	CONTACT-2 POLE-120V-40AMP	CONTACTOR RELAY 2-POLE 120V 40A
4	1	RLY 30AMP DPDT-FIN	30AMP PANEL MOUNT RELAY,2 POLE 120V
5	1	FAN PHTT 115	115V FAN,80 X 80 X 38MM
6	1	BLWR-120-60	BLOWER ASSEMBLY 120V, 60HZ
7	1	EL2000-120-HT	ELEMENT 2000 WATT 120 VOLT 8" HT
8	1	24799	TST-19SL-TB OUTSIDE TOP
9	1	TRM BLK-08	TERMINAL BLOCK -8 POLES
10	1	Z-800-2391(INCLUDES 8-9, 11-15)	TST-19SL-TB TOP HEAT MODULE US
11	2	GRD FAN	FAN GUARD
12	1	SNAP DISC 210-250	HI-LIMIT SWITCH NC
13	1	66658	TST-19SL-TB BTM BLOWER BAFFLE
14	1	57659	TST-19SL-TB BAFFLE ACCESS PLATE
15	1	GSKT 1-2 FSF	GSKT 1-2 FSF @ 31
16	1	Z-800-2957(INCLUDES 17-20)	TST-SL-TB CONCEALED ELAN DIG TMR US
17	1	T-STAT ELE H2 NP	ELEC THERMO HEAT CNTRL HORIZON IEC
18	1	SWH RCK E1	SWITCH NON-LT ROCKER 125/250V 20AMP
19	1	TMR DIG	DIGITAL TIMER - 24 HR 120V-15A CE
20	1	SWH ON-NONE-ON TOGGLE	SWITCH, DPDT 3/4HP 125-250VAC
21	1	PRB RTD T	RTD TEMPERATURE PROBE FOR T-STAT
22	1	PRB HARNESS 36	36" PROBE HARNESS - T-STAT ELE
23	1	Z-600-4438	TST-19SL-TB TUNNEL ASSY
24	4	Z-600-2425	CASTER LEG SS4 ADAPTER WELDMENT
25	2	GSKT-D-30-31	SILICONE DR GASKT D 30X31 4S
26	2	Z-301-3708(INCLUDES 27-29)	TST-19SL-TB DOOR ASSY NO HARDWARE
27	4	HNG 1216 SPRING KIT	SPRING KIT FOR 1216 HINGE
28	4	HNG 1216	HINGE NON-RISE ADJ 1-1/8 OFFSET
29	2	66861	TST-19SL-TB DOOR SS HANDLE
30	2	66662	TST-19SL-TB UPRIGHT 2.5" SPACING
31	51	66663	TST-19SL-TB TRAY SLIDE
32	18	SHLF RH-LCH	SHELF WIRE 18.188"X26"



DRAWING #: **TST-19SL-TB**
DESCRIPTION: **TRAY SERVER TOP MOUNT BLWR**
DRAWN BY: OH LAST SAVED BY: ohooks