



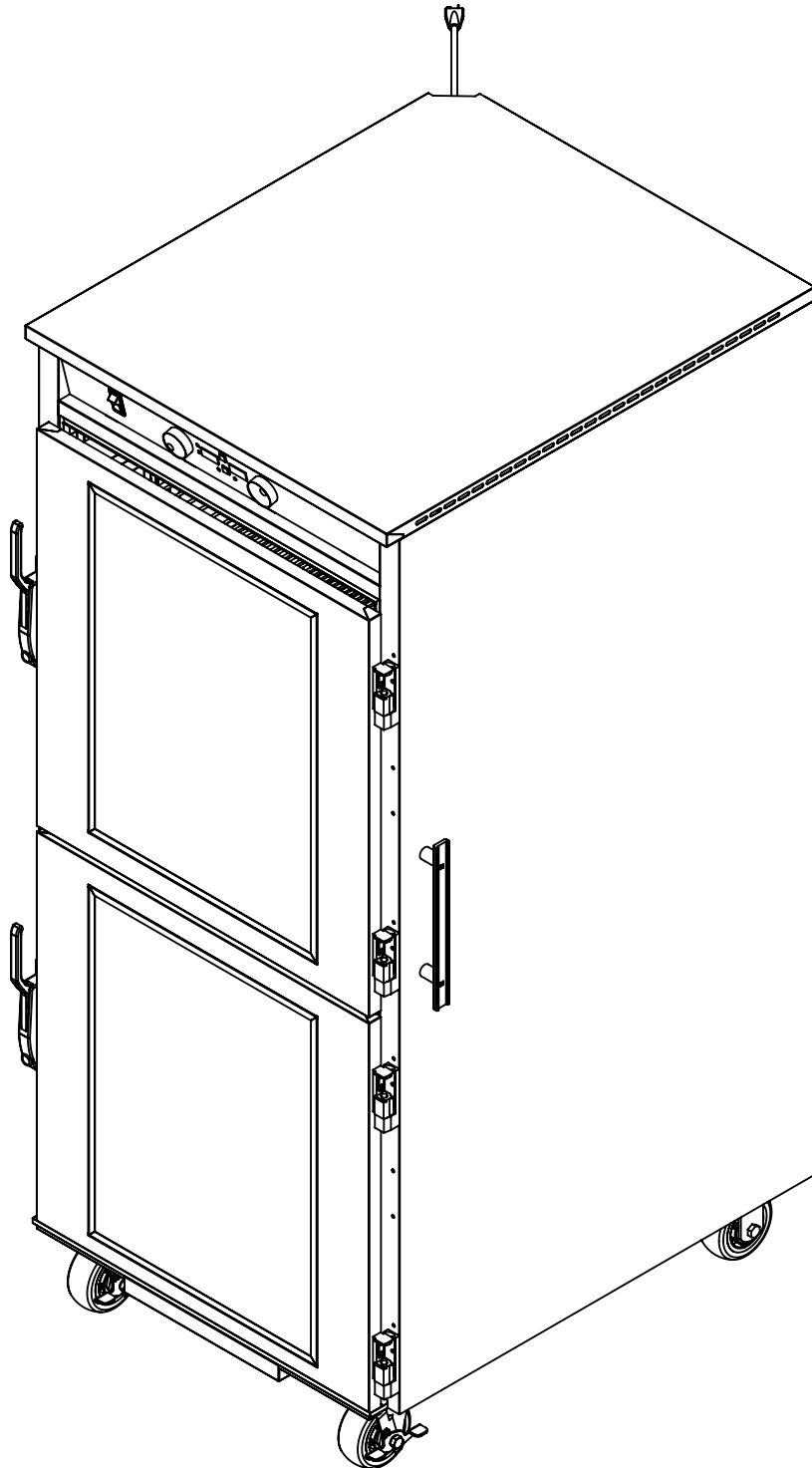
5599 Highway 31 West
Portland, TN 37148
(615)325-2774

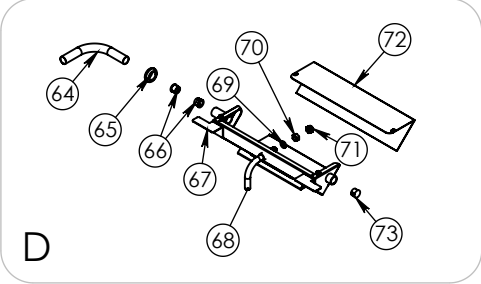
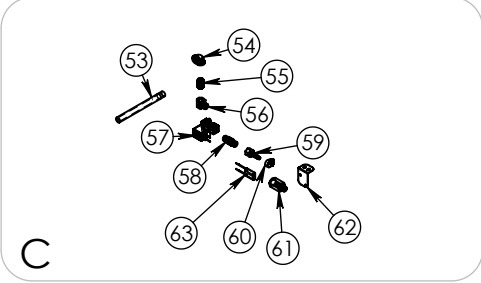
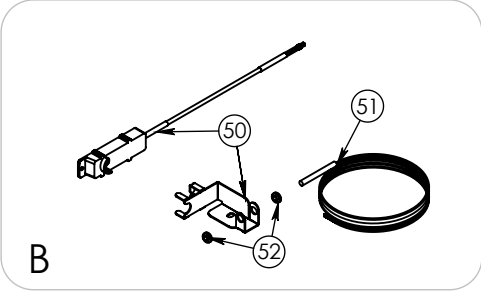
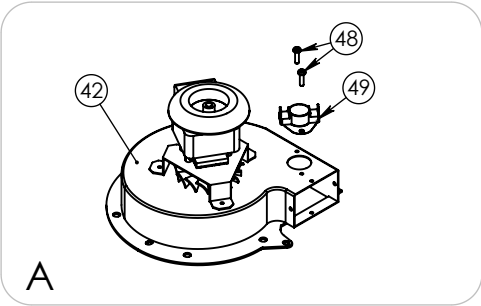
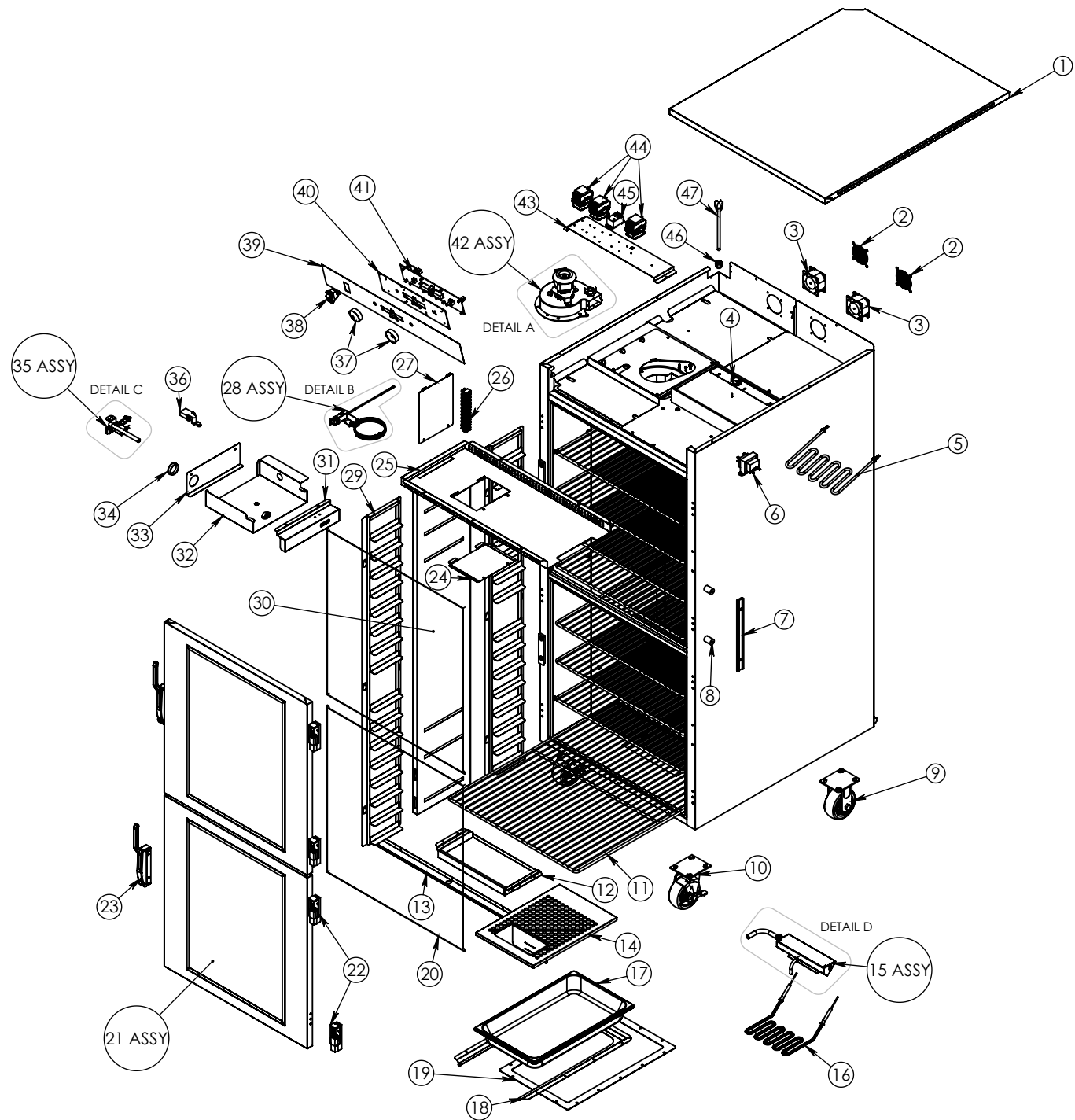
PHTT-BP-8

Pg.1 . TITLE PAGE

Pg.3 . PHTT-BP-8 BOM

Pg.2 . PHTT-BP-8





DRAWING #: **PHTT-BP-8 DRAWING**
 DESCRIPTION: **UNIVERSAL PRECISE HUMIDITY**
 DRAWN BY: OH LAST SAVED BY: ohooks

ITEM NO.	QTY.	PART NO.	DESCRIPTION				
1	1	23702	PHTT-BP-8 OUTSIDE TOP	37	2	KNB PHTT	KNOB, DIMPLE TURN
2	2	GRD FAN	FAN GUARD	38	1	SWH RCK E1	SWITCH NON-LT ROCKER 125/250V 20AMP
3	2	FAN PHTT 115	115V FAN,80 X 80 X 38MM	39	1	CNTRL PNL PHTT 2332-12-P	OVERLAY FOR PHTT XL
4	1	SNAP DISC 210-250	HI-LIMIT SWITCH NC	40	1	Z-600-7918	PHTT STD CONTROL BOARD ASSY
5	1	EL2000-120-HT SCREW LUG	ELEMENT 2000 WATT 120 VOLT	41	1	CNTRL BRD-PHTT STD	CONTROL BOARD FOR STANDARD PHTT
6	1	TRNS-240-120-40VA	TRANSFORMER 240V-120V 40 VA	42	1	Z-600-4092(INCLUDES 48-49)	BLWR-120-60 WITH SNAP DISC 150-130
7	2	HDL-125-AL	HANDLE PUSH ALUMINUM 12.5" LONG	43	1	57636	PHTT COMPONENTS MOUNTING BRKT
8	4	SPCR125X.330	HANDLE SPACERS FOR HDL 21 AND 12.	44	3	CONTACT-2 POLE-120V-40AMP	CONTACTOR RELAY 2-POLE 120V 40A
9	2	CSTR 52-R-PPF	CASTER 5" RIGID EZ ROLL POLY	45	1	RLY 30AMP DPDT	30AMP PANEL MOUNT RELAY, 2 POLE 120V
10	2	CSTR 52-SB-PPF	CASTER 5" SWIVEL BRAKE EZ ROLL POLY	46	1	BSH STRN 4	STRAIN RELIEF FOR 20 AMP CORD
11	8	SHLF-SS-26X35	SHELF, STAINLESS STEEL 26.75 X 35	47	1	CRDSET20-115	CORD 12' 115 VOLT 5-20P 12GA 3 WIRE
12	1	54327	PHTT DRIP PAN	48	2	S8-32X10 CTS	SCRW 8-32X5/8 PH CUT 410
13	1	56950	PHTT-BP-8 DRIP TROUGH	49	1	SNAP DISC 150-130	COOL DOWN SNAP DISC F150 OPEN RISE
14	1	53497	PHTT-BP-8 WATER PAN COVER	50	1	Z-600-3850	PHTT SENSOR NO T PROBE
15	1	Z-800-2111(INCLUDES 64-73)	PHTT-BP-8 ELEM T HOUSING W/COND PRB	51	1	THERMISTOR-PROBE	THERMISTOR PROBE NTC
16	1	EL2000-120PHTT-2.5	ELEMENT 2000W 120V FOR 2.5" PAN	52	2	GRMT-HT-3-16	SILICONE GROMMET 3/16ID X 7/16OD
17	1	PAN 12X20X2.5	FULL SIZE SS PAN, 2-1/2" DEEP	53	1	PIPE-NIPPLE-SS-25-600	PIPE NIPPLE SS 1/4" PIPE 6"
18	1	54241	PHTT WATER PAN SLIDE BRKT	54	1	ELB-90-SS-TBE-1-4	ELBOW S/S 1/4" PIPE-90 DEGREE-TBE
19	1	GSKT PHTT	SILICONE SPONGE 1/16" D/C W/PSA	55	1	PIPE-NIPPLE-BRS-250	BRASS PIPE NIPPLE, 1/4" NPT, FULL THR
20	2	GSKT-D-28-500X29-875	SILICO DR GSKT D 28.50000X29.875 4S	56	1	ELB-250-BRS	ELBOW BRASS, 1/4" NPT MALE-FEMALE
21	2	Z-301-4304(INCLUDES 22-23)	PHTT-BP-8 DR GLASS SC-LO/MAG RH-FR	57	1	VLV SLND 2-WAY PHTT 120V	2 WAY WATER SOLENOID VALVE, 120V
22	4	HNG-LIFT-OFF-215	HINGE LIFT-OFF SELF CLOSING 1-3/16	58	1	FILTER-PIPE	FILTER, IN LINE PIPE STYLE 1/4" NPT
23	2	LTH MAG OFFSET HNDL	CHROME MAGNETIC LATCH, OFFSET HANDLE	59	1	ADPTR BRASS FEMALE 1-4	ADAPTER 1/4 BARB X 1/4 FIP, BRASS
24	1	57659	PHTT BAFFLE ACCESS PLATE	60	1	CLAMP-ADJUSTABLE-25-625	HOSE CLAMP 1/4"-5/8", SS SAE 4
25	1	Z-600-3280(INCLUDES 24)	PHTT-BP-8 BLOWER BAFFLE ASSY	61	1	VLV BALL 250	MINI CHROME BALL VALVE 1/4" NPT
26	1	TRM BLK PHTT	EURO STRIP TERM. BLOCK, 12 POSITION	62	1	57628	PHTT AUTO FILL MOUNTING BRKT
27	1	54957	PHTT BOTTOM ACCESS PANEL	63	1	CNTRL SURGE SUPPRESSOR	SURGE SUPPRESSOR, TEMP CONTROLLER
28	1	Z-800-2042(INCLUDES 50-52)	PHTT SENSOR MOUNT PLATE ASSY	64	1	SLV-ACRYLIC-WHITE-7-16	SLEEVING ACRYLIC 7/16 ID WHITE FA1
29	4	57308	PHTT-BP-8 SLIDES FIXED @3.375"	65	2	GRMT-HT-9-16	SILICONE GROMMET 9/16ID X 1-1/16OD
30	1	53213	PHTT-BP-8 TUNNEL	66	2	BSH-1-2	SNAP-IN WHT SB-500-6
31	1	68518	PHTT-BP-8 SAFETY SWITCH MOUNT BRKT	67	1	Z-600-2858	PHTT BOTTOM ELEMENT PLATE ASSY
32	1	57307	PHTT-BP-8 BOTTOM ELEC COVER BOX	68	1	Z-600-4709(INCLUDES 69-71)	PHTT-BP-8 SMALL COND PROBE ASSY
33	1	54955	PHTT SIDE ACCESS PANEL	69	1	W1-4SLSS	WASHER 1/4 MED. SPLIT LK SS
34	1	PLG 1 3-4	PLUG HOLE 1-3/4" HOLE, BLK	70	1	N1-4-20HXS	1/4-20 HX NUT, SS
35	1	Z-600-4304(INCLUDES 53-63)	PHTT-8-BP WATER AUTO FILL 8FT ASSY	71	1	N1-4-20 NEUN	NUT 1/4-20SS SELF LOCKING
36	1	SWH LIMIT	COMPACT LIMIT SWITCH	72	1	53358	PHTT-BP-8 ELEMENT MOUNTING COVER
				73	1	PLG 1-2	PLUG HOLE 1/2" BLK-2643 OD.500



DRAWING #: **PHTT-BP-8 DRAWING**

DESCRIPTION: **UNIVERSAL PRECISE HUMIDITY**

DRAWN BY: OH

LAST SAVED BY: ohooks