

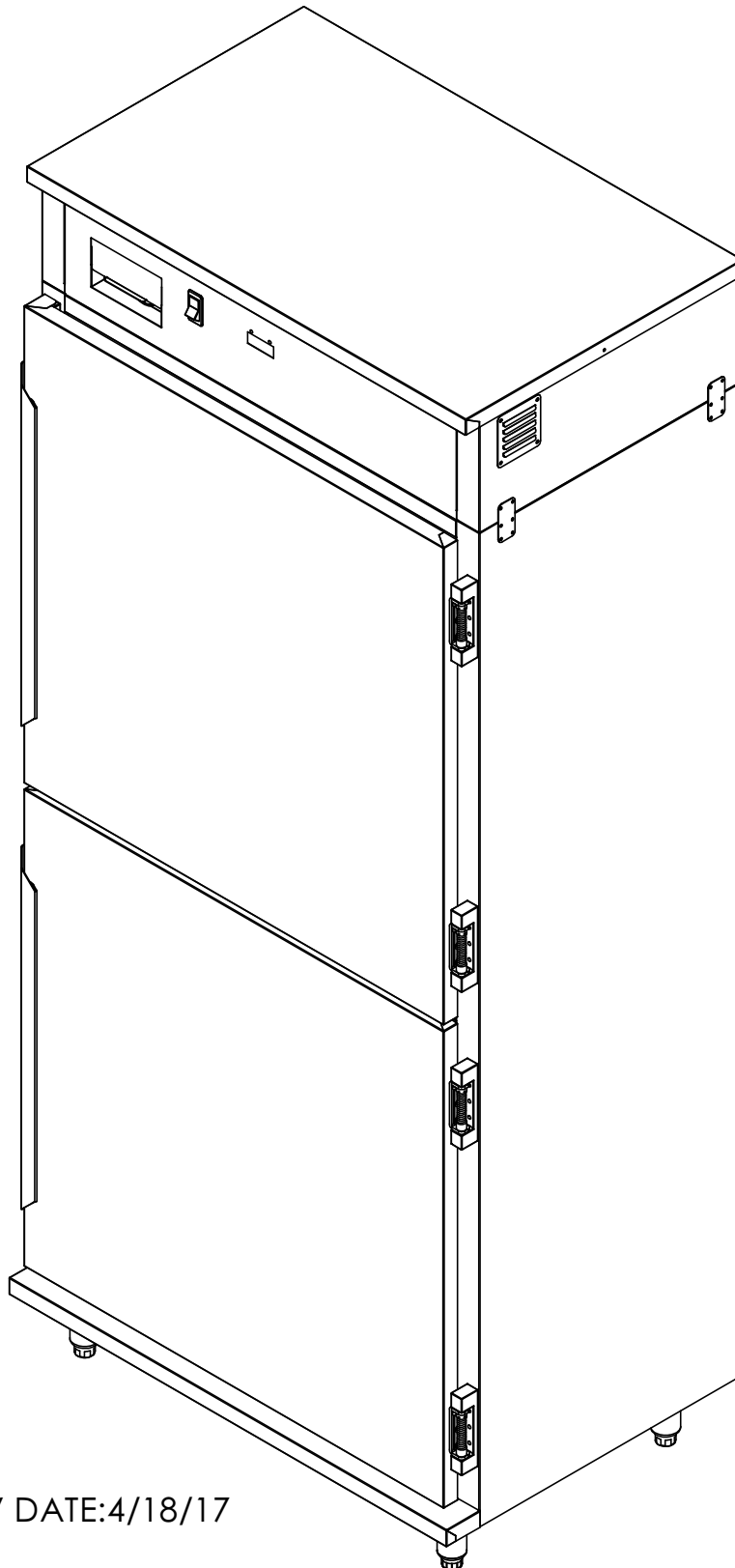


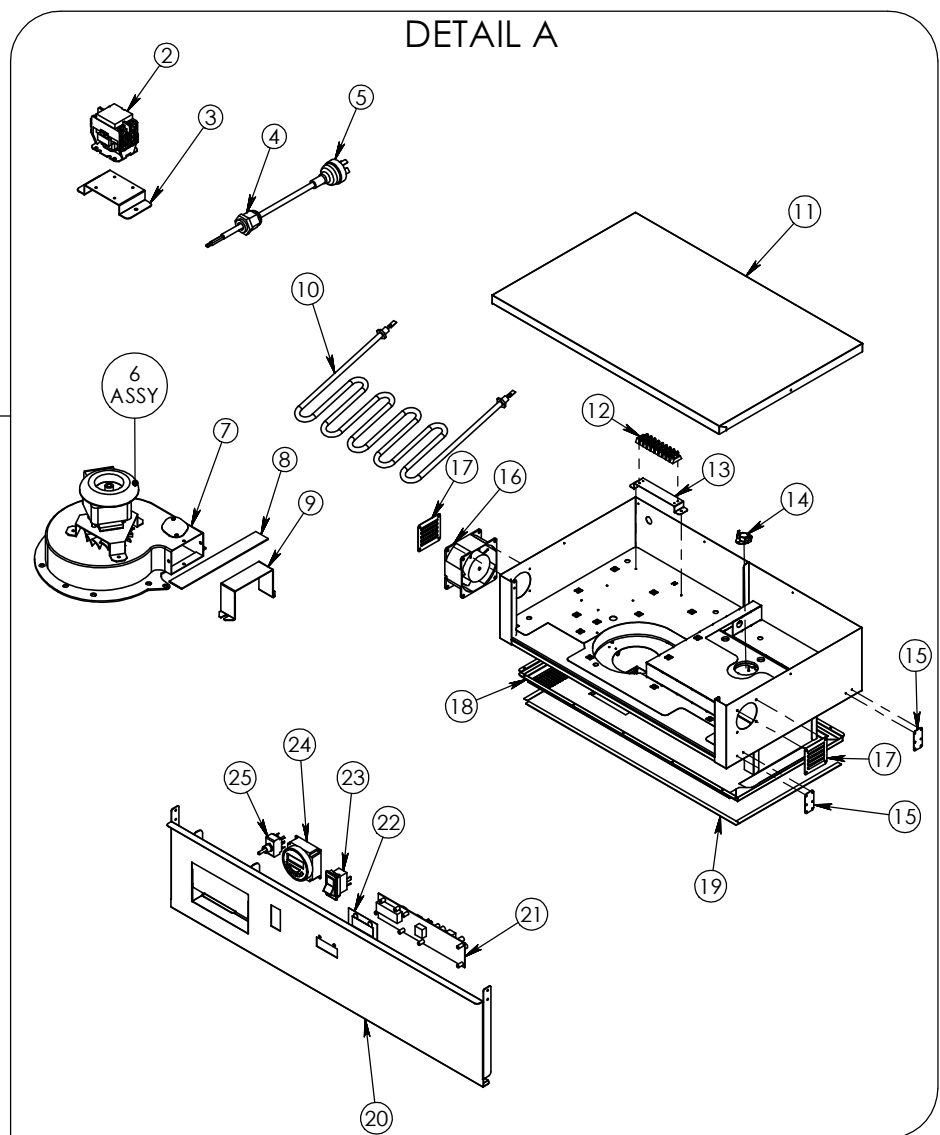
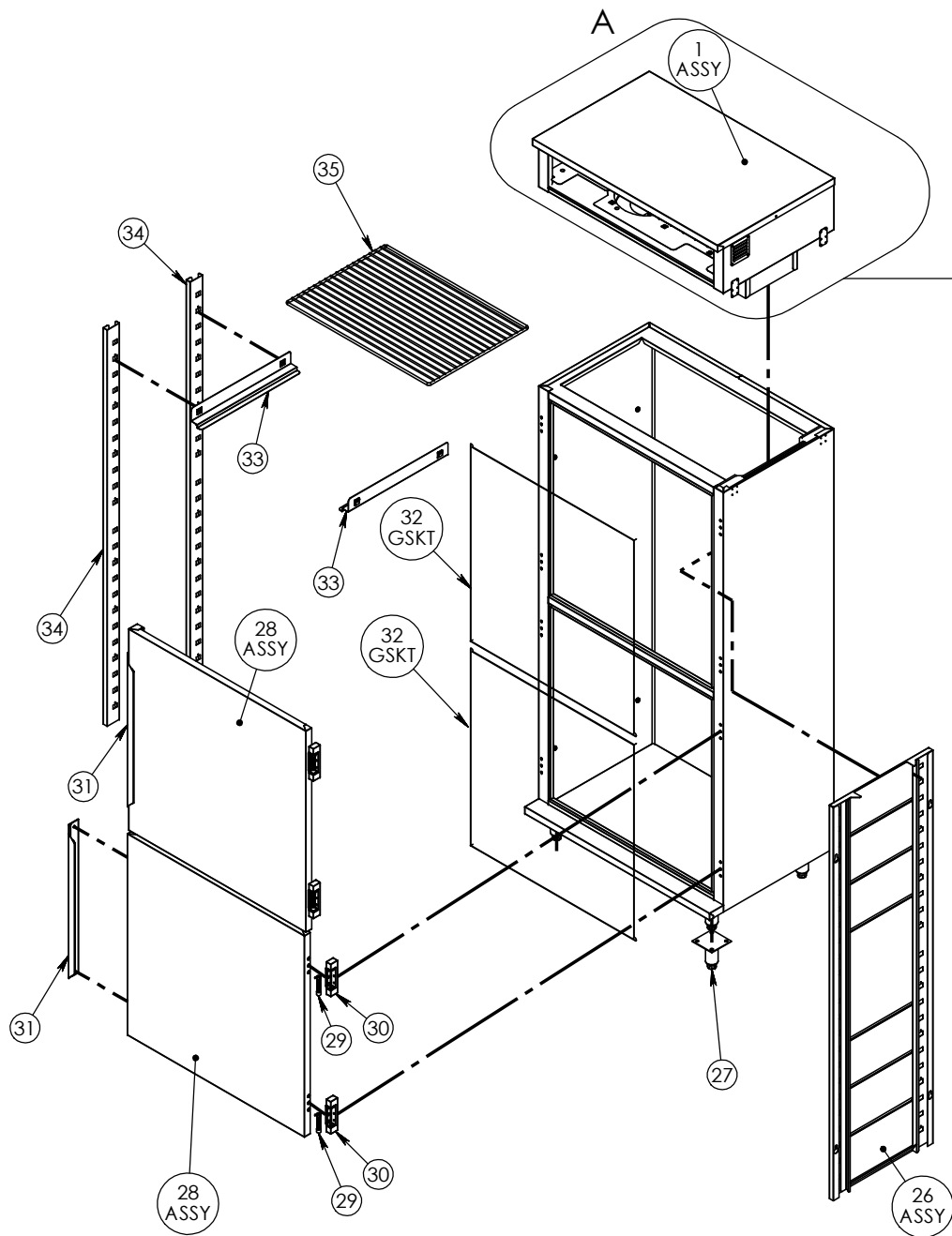
5599 Highway 31 West  
Portland, TN 37148  
(615)325-2774

# TST-19SL-TB UK

Pg.1 .....Title Page      Pg.3 .....TST-19SL-TB UK BOM

Pg.2 .....TST-19SL-TB UK  
EXPLODED





DRAWING #: <b>TST-19SL-TB UK</b>	
DESCRIPTION: <b>TRAY SERVER TOP MOUNT BLWR</b>	
DRAWN BY: DP	LAST SAVED BY: dplodzien

ITEM NO.	QTY.	PART NO.	DESCRIPTION
1	1	Z-800-2330	TST-19SL-TB TOP HEAT MODULE LATCHES
2	1	CONTACT-2POLE-50 AMP RES	CONTACTOR 2 POLE 50AMP RESISTIVE
3	1	53053	TST-19SL-TB CONTACTOR BRACKET
4	1	STRN RELIEF LTF 13.5	STRAIN RELIEF HEYCO 3216
5	1	POWER CORD	VARIES PER ORDER - CONTACT DEALER
6	1	Z-600-3967 (INCLUDES 7-9)	BLWR-240-50
7	1	BLWR-240-50	BLOWER ASSEMBLY 240V, 50HZ
8	1	GSKT 1MCS	GSKT 1MCS
9	1	59672	BAY BLOWER END SEAL CAP
10	1	EL2000-220HT	ELEMENT 2000 WATT 220 VOLT 8" HT
11	1	24799	TST-19SL-TB OUTSIDE TOP
12	1	TRM BLK-08	TERMINAL BLOCK -8 POLES
13	1	66889	BRKT TRM BLOCK 8 GANG
14	1	SNAP DISC 210-250	HIGH LIMIT SWITCH NC L250
15	4	80682	TST-TB SIDE MOUNTING CLIP
16	1	FAN PHTT 230	SUNON 230V FAN,80 X 80 X 38MM
17	2	80681	SMALL FAN LOUVER COVER
18	1	66658	TST-19SL-TB BTM BLOWER BAFFLE
19	4	GSKT 1-2 FSF	GSKT 1-2 FSF
20	1	80533	TST-19SL-TB CONTROL PANEL
21	1	T-STAT ELE H2 NP	ELEC THERMO HEAT CNTRL HORIZON IEC
22	1	CNTRL PNL TST-TB	OVERLAY TST-TB LED DISPLAY CLEAR
23	1	SWH RCK HY60	SWITCH NON-LT ON/OFF ROCKER BLK
24	1	TMR DIG 230	DIGITAL TIMER - 24 HR 230V-15A CE
25	1	SWH ON-NONE-ON TOGGLE	SWITCH, DPDT 3/4HP 125-250VAC
26	1	Z-600-4438	TST-19SL-TB TUNNEL ASSY
27	4	Z-600-4755	LEG SS4 TIG WELD ASSY
28	2	Z-301-3708 (INCLUDES 29-31)	TST-19SL-TB DOOR ASSEMBLY SC/MWF
29	4	HNG 1216 SPRING KIT	SPRING KIT FOR 1216 HINGE
30	4	HNG 1216	HINGE NON-RISE ADJ 1-1/8 OFFSET
31	2	66861	TST-19SL-TB DOOR SS HANDLE
32	2	GSKT-D-30-31	SILICONE GASKET D-29-31
33	16	66663	TST-19SL-TB TRAY SLIDE
34	2	66662	TST-19SL-TB UPRIGHT
35	8	SHLF RH-LCH	SHELF 18"X26"



DRAWING #: <b>TST-19SL-TB UK</b>	
DESCRIPTION: <b>TRAY SERVER TOP MOUNT BLWR</b>	
DRAWN BY: DP	LAST SAVED BY: dplodzien