



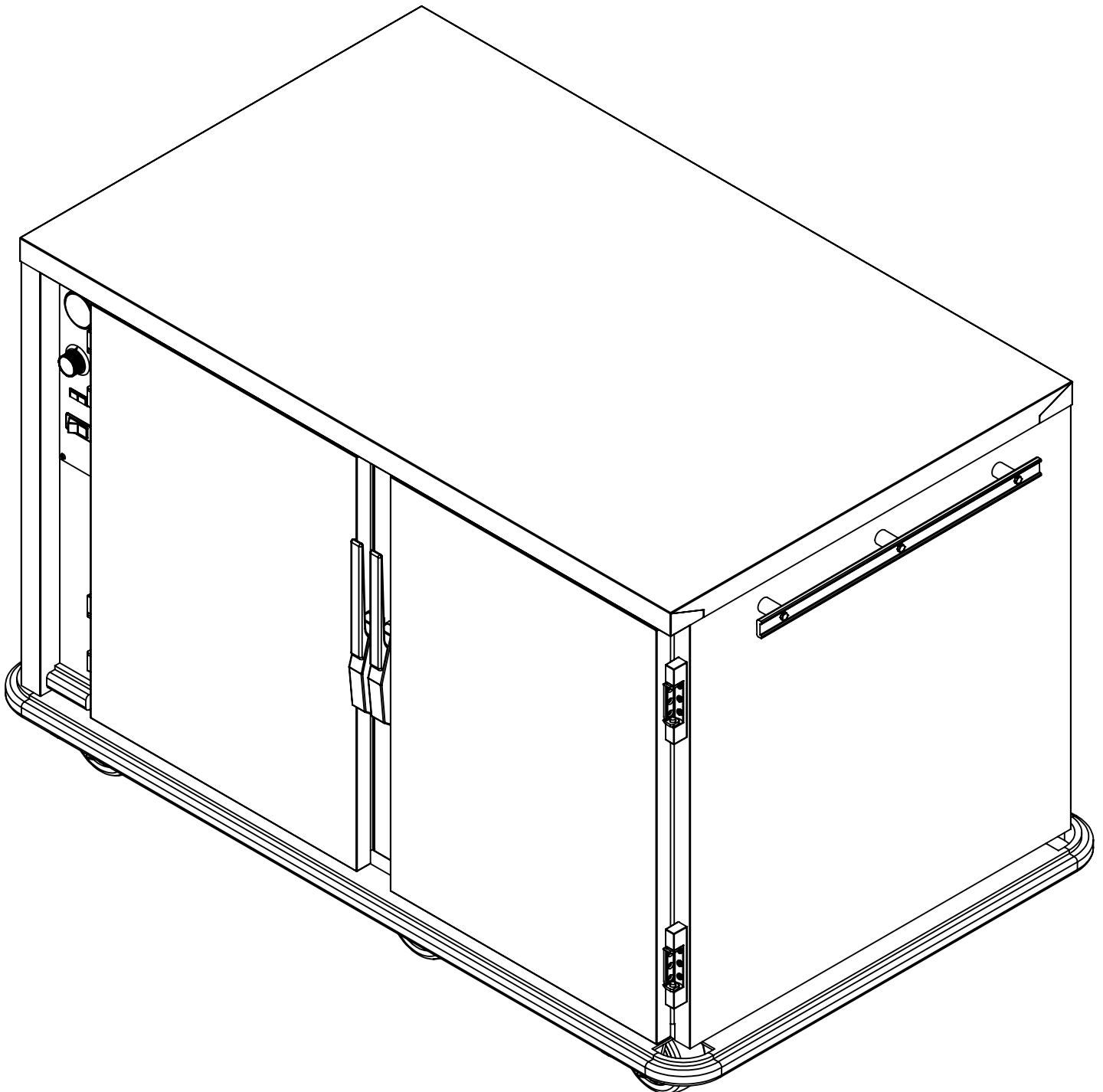
5599 Highway 31 West
Portland, TN 37148
(615)325-2774

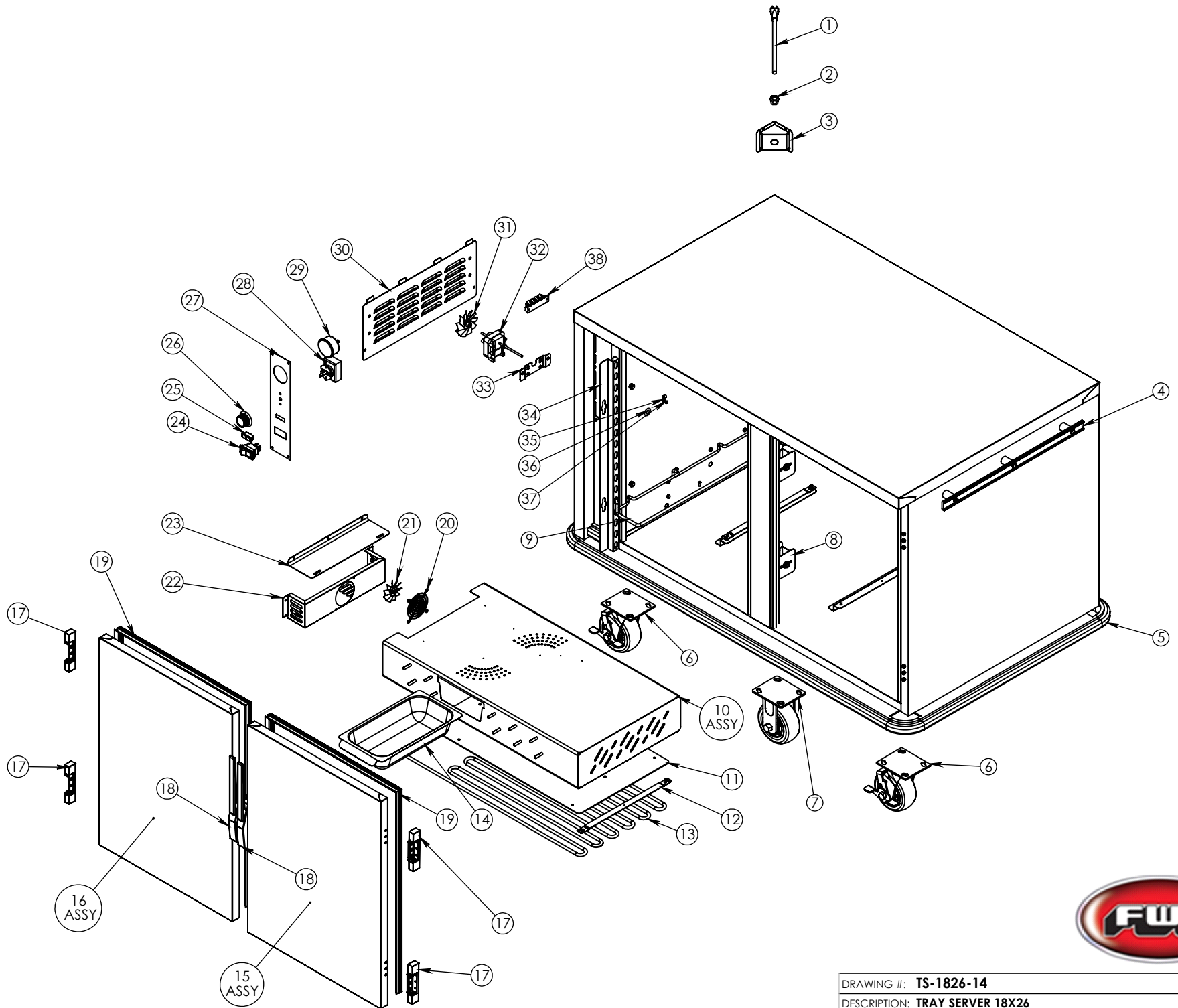
TS-1826-14

Pg.1 . TITLE PAGE

Pg.3 . TS-1826-14 BOM

Pg.2 . TS-1826-14





DRAWING #: TS-1826-14	
DESCRIPTION: TRAY SERVER 18X26	
DRAWN BY: PD	LAST SAVED BY: patrick20

ITEM NO.	QTY.	PART NO.	DESCRIPTION
1	1	CRDSET10-115	CORD 12' 115V 5-15P 14GA 3WR 15AMP
2	1	BSH STRN 3	STRAIN RELIEF FOR 15 AMP CORD
3	1	69729	HUMI TRI-CORD BRCKET DD .672X .750
4	2	HDL-215-AL	HANDLE PUSH AL 21.5
5	1	Z-200-1054	TS-1826-14 BUMPER ASSEMBLY
6	4	CSTR 52-SB-PPF	CASTER 5' SWIVEL BRAKE EZ ROLL POLY
7	2	CSTR 52-R-PPF	CASTER 5' RIDGID EZ ROLL POLY
8	4	Z-600-2934	UPRIGHT CLIP ASSEMBLY
9	28	SLD TS245	TRAY SLIDE NICKEL PLATED 18X26
10	1	Z-600-1252 (INCLUDE 14)	WATER PAN TUNNEL ASSEMBLY
11	1	50300	ALUM HTNG ELEMENT CVR
12	2	5958	1600W ELEMENT BRACKET STRAP
13	1	EL1600-120HT-XL-28	ELEMENT 1600 WATT 120 VOLT 28" HT
14	1	WATER-PAN-3RD-WHDL	WATER PAN 2.5" X6.75 X
15	1	Z-301-3952 (INCLUDE 17-19)	DOOR ASSY EDG EDG RIGHT
16	1	Z-301-3951 (INCLUDE 17-19)	DOOR ASSY EDG EDG LEFT
17	4	HNG-214	DOOR HINGE EDGEMOUNT .875"
18	2	LTH-DR	DOOR LATCH EDGEMOUNT STYLE CHROME
19	2	GSKT-D-27-000X20-258	SILICONE DOOR GASKET D 27X20.258
20	1	GRD FAN	FAN GUARD
21	1	BLD FAN 2.5S	FAN BLADE 2.5" ALUMINUM
22	1	5345	HUMITEMP BLOWER HSING
23	1	4041	HUMITEMP BLOWER LID
24	1	SWH RCK E1	SWITCH NON-LT ROCKER 125/250V 20AMP
25	1	LT PLT A-G	INDICATOR LIGHT AMBER GREEN 125V
26	1	KNB H6	KNOB WITH ARROW
27	1	CNTRL-PNL-HUMI-TEMP-AL	ALUM PANEL FOR HUMI-TEMP
28	1	T-STAT H1	THERMOMSTAT HEAT CONTRL 90-190 36"
29	1	T-METER H1	THERMOMETER 100-220
30	1	53454	HUMITEMP LOUVER PANEL W/TABS
31	1	BLD FAN 2.5S	FAN BLADE 2.5" ALUMINUM
32	1	Z-600-6151	MTR BY120 92 SERVICE ASSMBLY
33	1	80610	BRACKET MOTOR MNT FOR BAY MTR
34	8	4027	TS-1826 UPRIGHT
35	3	CLP-AL1-4	CLAMP 1-4" ALUM
36	1	PLG 3/4	PLUG HOLE WHT-2684 OD.750
37	2	S8X8THUM	SCRW #8x.5TY.A SS T32-5020
38	1	TRM 4QC	TERMINAL BLOCK 4QC



DRAWING #: **TS-1826-14**

DESCRIPTION: **UNIVERSAL SERVER**

DRAWN BY: PD

LAST SAVED BY: patrick20