



5599 Highway 31 West
Portland, TN 37148
(800) 222-4393

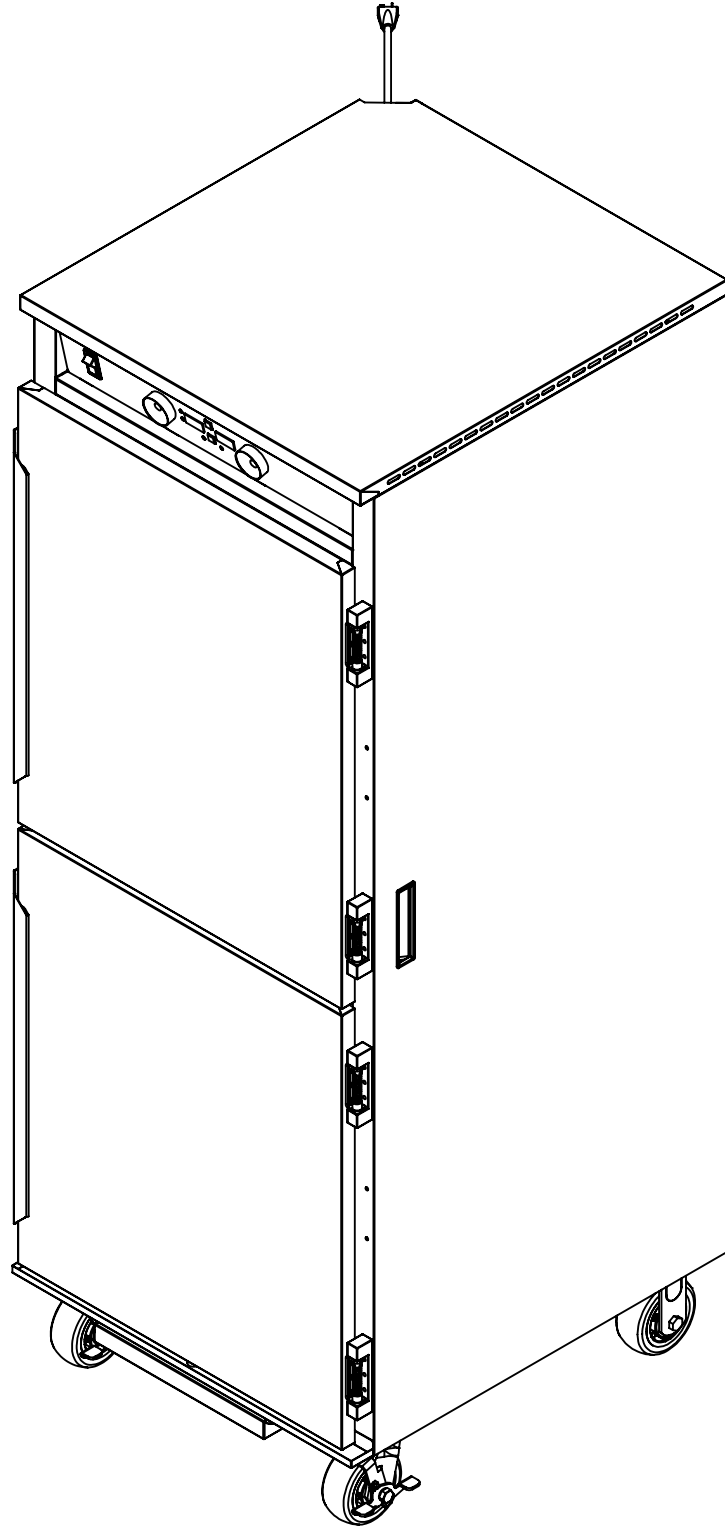
PHTT-12

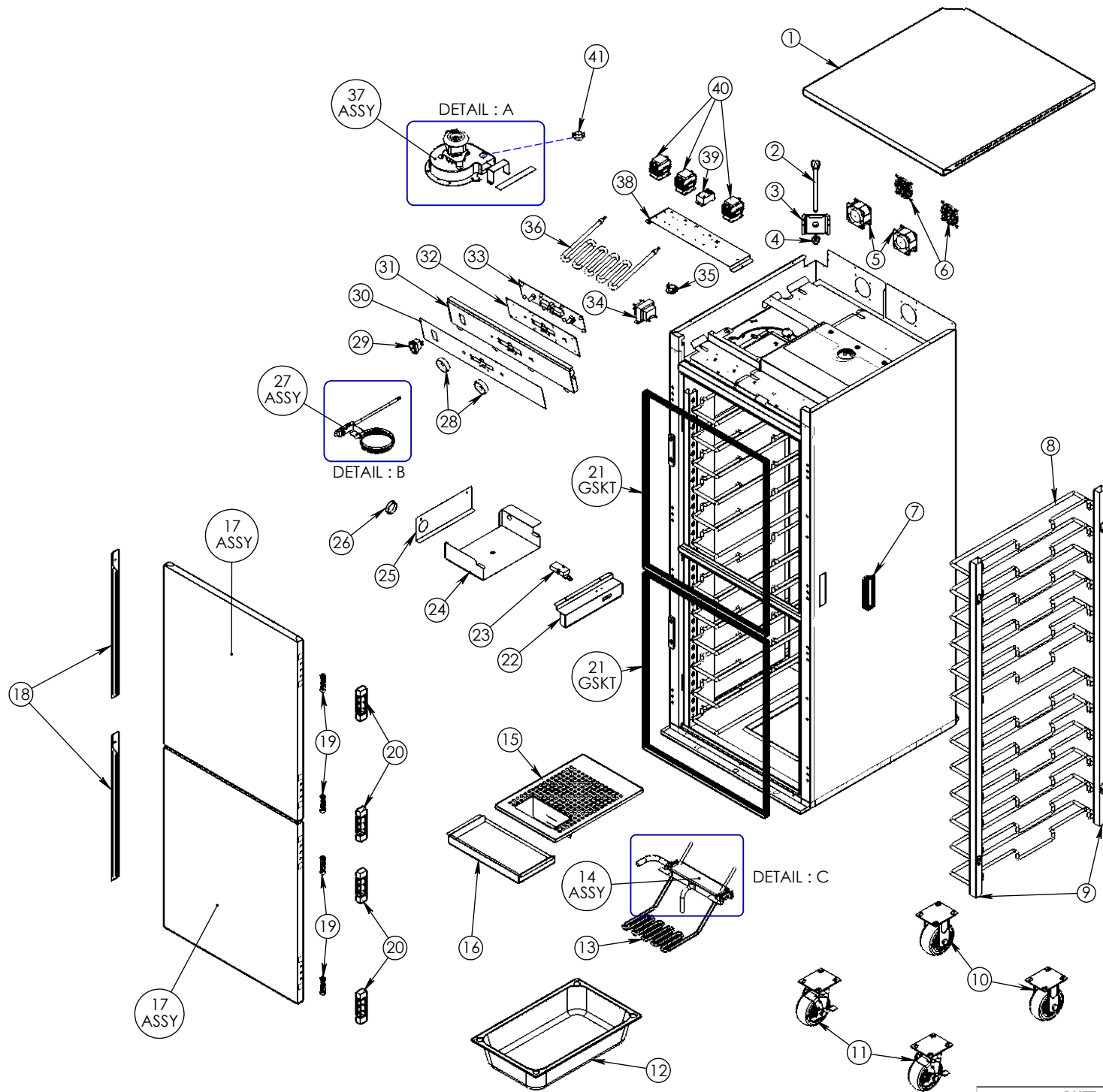
Pg.1Title Page

Pg.3Detail Views

Pg.2PHTT-12 Exploded

Pg.4PHTT-12 BOM





DRAWING #: **PHTT-12**

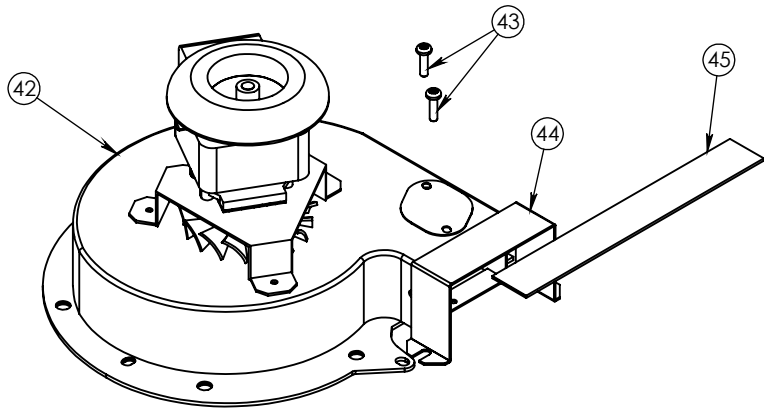
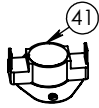
DESCRIPTION: **UNIVERSAL PRECISE HUMIDITY**

DRAWN BY: PD

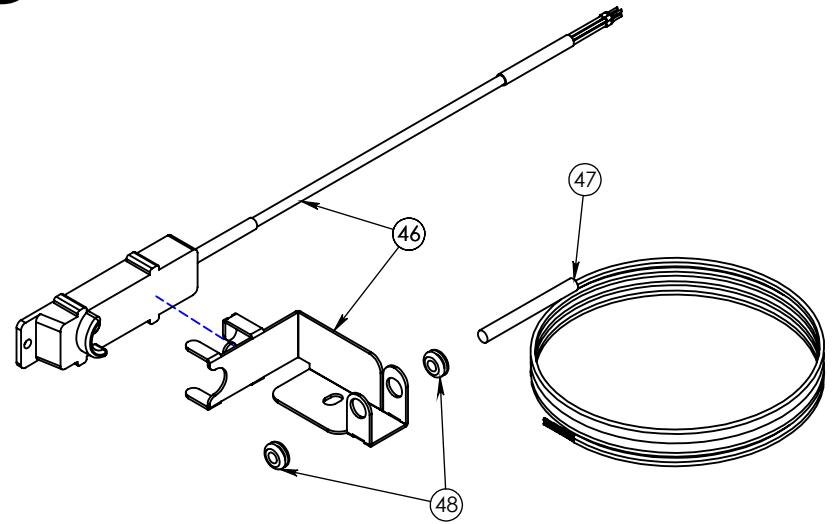
LAST SAVED BY: patrick20

A

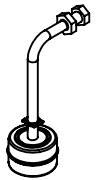
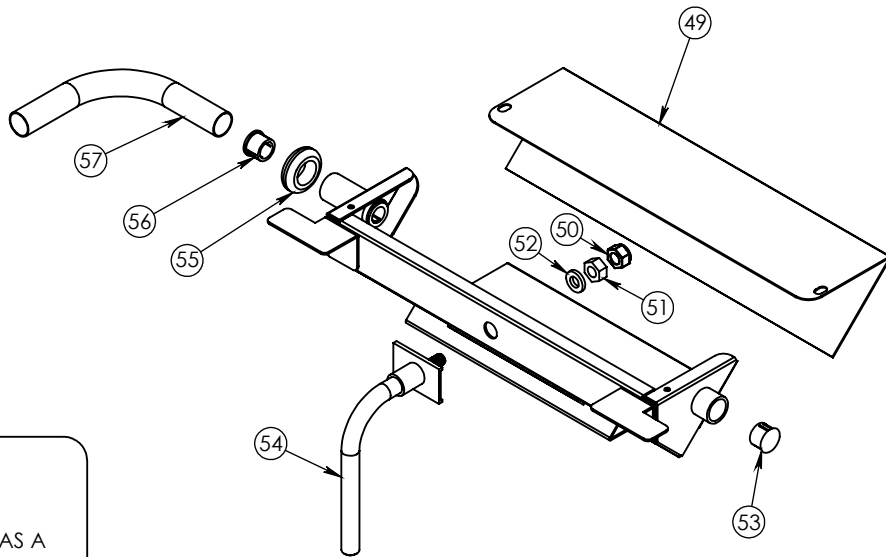
SOLD SEPERATELY FROM BLOWER ASSY



B



C



IF YOUR UNIT CURRENTLY HAS A FLOATBALL, PLEASE ORDER RETROFIT KIT Z-500-1010(54)



DRAWING #: PHTT-12

DESCRIPTION: UNIVERSAL PERCISE HUMIDITY

DRAWN BY: PD

LAST SAVED BY: PATRICK20

ITEM NO.	QTY.	PART NO.	DESCRIPTION	ITEM NO.	QTY.	PART NO.	DESCRIPTION
1	1	28587	PHTT OUTSIDE TOP 3 POS CORD	30	1	CNTRL PNL PHT	OVERLAY FOR CLYMATE IQ (PHTT)
2	1	CRDSET20-115	CORD 12' 115 VOLT 5-20P 12GA3 WIRE	31	1	Z-600-8147	PHTT ELECTRONIC CONTROL SERVICE
3	1	53518	PHTT-12 CORD BRKT 3 POS CORD	32	1	Z-600-7918	PHTT STD CONTROL BOARD ASSEMBLY
4	1	BSH STRN 4	STRAIN RELIEF FOR 20 AMP CORD	33	1	CNTRL BRD-PHTT STD	CONTROL BOARD FOR STANDARD PHTT
5	2	FAN PHTT 115	115V FAN,80 X 80 X 38MM	34	1	TRNS-240-120-40VA	TRANSFORMER 240V-120V 40 VA
6	2	GRD FAN	FAN GUARD	35	1	SNAP DISC 210-250	HI-LIMIT SWITCH NC
7	2	PL FLSH BLK ABS	PULL BLACK ABS 5.01	36	1	EL2000-120-HT SCREW LUG	ELEMENT 2000 WATT 120 VOLT
8	24	SLD-UHS245-SS	TRAY SLIDE STAINLESS STEEL UHS	37	1	Z-500-1009 (INCLUDES 42-45)	REVCOR-BAY MOTOR RET KIT
9	4	53221	PHTT-12 UPRIGHT	38	1	57636	PHTT COMPONENTS MOUNTING BRKT
10	2	CSTR 52-R-PPF	CASTER 5" RIGID EZ ROLL POLY	39	1	RLY 30AMP DPDT	30AMP PANEL MOUNT RELAY,2 POLE 120V
11	2	CSTR 52-SB-PPF	CASTER 5" SWIVEL BRAKE EZ ROLL POLY	40	3	CONTACT-2 POLE-120V-40AMP	CONTACTOR RELAY 2-POLE 120V 40A
12	1	WATER-PAN-20-12-4	FULL SIZE SS PAN 4" DEEP	41	1	SNAP DISC 150-130	COOL DOWN SNAP DISC F150 OPEN RISE
13	1	EL2000-120PHTT	HEAT ELEMT 2000W 120VHUMI BENT	42	1	BLWR-120-60	BLOWER ASSEMBLY 120V, 60HZ
14	1	Z-800-2110 (INCLUDES 49-57)	PHTT-12 BTM ELEMT W/ COND PRB	43	2	S8-32X10 CTS	SCRW 8-32x5/8 PH CUT 410
15	1	53497	PHTT WATER PAN COVER	44	1	59672	BAY BLOWER END SEAL CAP
16	1	54327	PHTT DRIP PAN	45	1	GSKT 1MCS	GSKT 1MCS @ 7"
17	2	Z-301-5649 (INCLUDES 18-20)	PHTT DOOR ASSY SC-EDG/VMWF-FR	46	1	Z-600-3850	PHTT SENSOR NO T PROBE
18	2	67380	PHTT WORK FLOW HANDLE	47	1	THERMISTOR-PROBE	THERMISTOR PROBE NTC
19	4	HNG 1216 SPRING KIT	SPRING KIT FOR 1216 HINGE	48	2	GRMT-HT-3-16	SILCONE GROMMET 3/16ID X 7/16OD
20	4	HNG 1216	HINGE NON-RISE ADJ 1-1/8 OFFSET	49	1	53358	PHTT-12 ELEMENT MOUNTING COVER
21	2	GASKET (SEE BOTTOM FOR DETAILS)	(SEE BOTTOM FOR DETAILS)	50	1	N1-4-20 NEUN	NUT 1/4-20SS SELF LOCKING
21A	2	GSSKT MAG2531	GSKT MAG 25.250 X 30.500	51	1	N1-4-20HXS	1/4-20 HX NUT, SS
21B	2	GSKT-D-24X29-875	SILICONE DOOR GASKET D 24.00X29.875	52	1	W1-4SLSS	WASHER 1/4 MED.SPLIT LK SS
22	1	68518	PHTT-12 SAFETY SWITCH MOUNT BRKT	53	1	PLG 1-2	PLUG HOLE 1/2" BLK-2643 OD.500
23	1	SW H LIMIT	COMPACT LIMIT SWITCH	54	1	Z-600-3859 (INCLUDES 50-52)	COND PROBE RETROFIT KIT
24	1	53498	PHTT BOTTOM ELECTRICAL BOX COVER	55	1	GRMT-HT-9-16	SILCONE GROMMET 9/16ID X 1-1/16OD
25	1	54955	PHTT SIDE ACCESS PANEL	56	2	BSH-1-2	SNAP-IN WHT SB-500-6
26	1	PLG 1 3-4	PLUG HOLE 1-3/4" HOLE, BLK	57	1	SLV-ACRYLIC-WHITE-7-16 @ 7"	SLEEVING ACRYLIC 7/16 ID WHITE FAI
27	1	Z-800-2042 (INCLUDES 46-48)	PHTT SENSOR MOUNT PLATE ASSEMBLY	<p>*UNITS WITH A SERIAL NUMBER MATCHING OR PRECEEDING 133531701 WILL RECEIVE 21 (A) ALL SERIAL NUMBERS PROCEEDING 133531701 WILL RECEIVE 21 (B)</p> <p>IF YOU ARE UNABLE TO ACQUIRE A SERIAL NUMBER PLEASE CONTACT US FOR FURTHER ASSISTANCE IN IDENTIFYING AND PURCHASING A REPLACEMENT GASKET OR ANY OTHER QUESTIONS YOU MAY HAVE. PHONE: (800)-222-4393</p>			
28	2	KNB PHTT	KNOB, DIMPLE TURN				
29	1	SW H RCK E1	SWITCH NON-LT ROCKER 125/250V 20AMP				



DRAWING #: **PHTT-12**

DESCRIPTION: **UNIVERSAL PRECISE HUMIDITY**

DRAWN BY: PD

LAST SAVED BY: patrick20