



5599 Highway 31 West  
Portland, TN 37148  
(615)325-2774

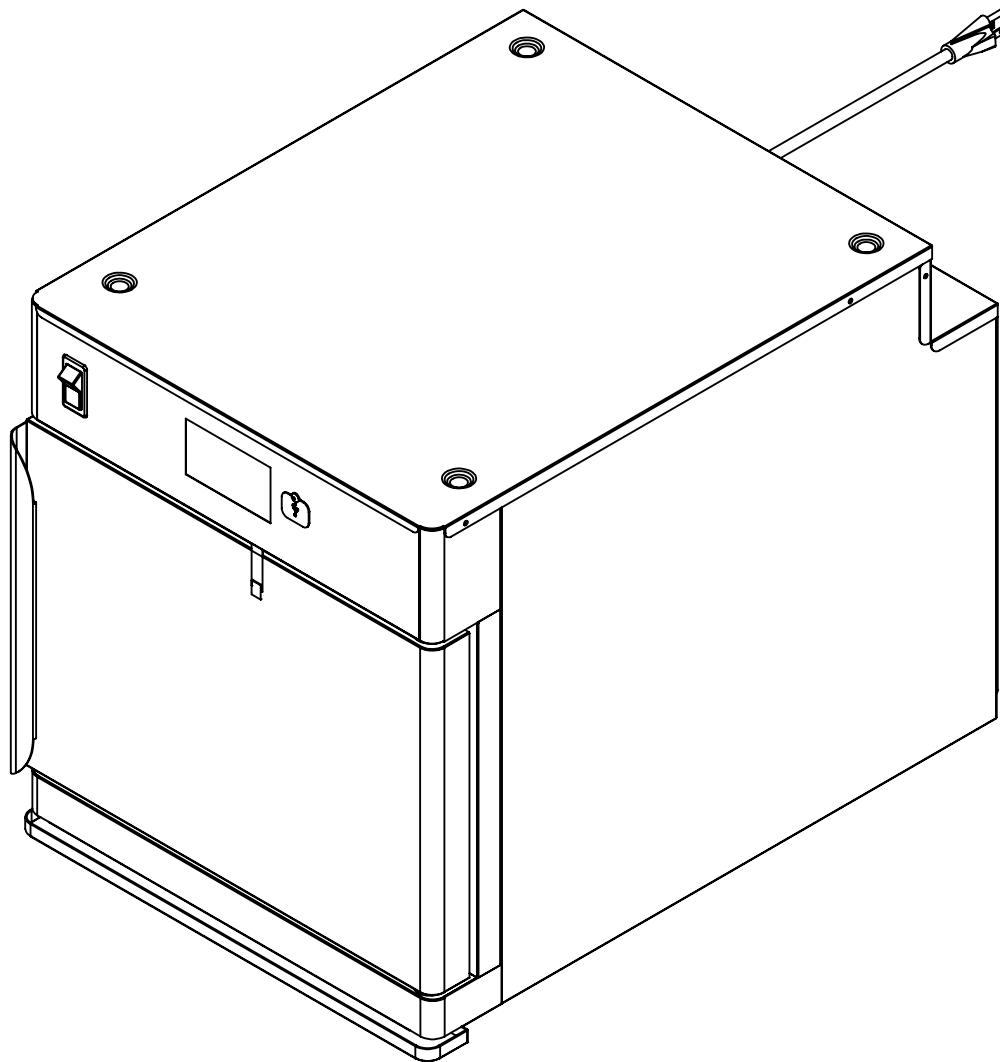
# LCHR-1220-4-G3

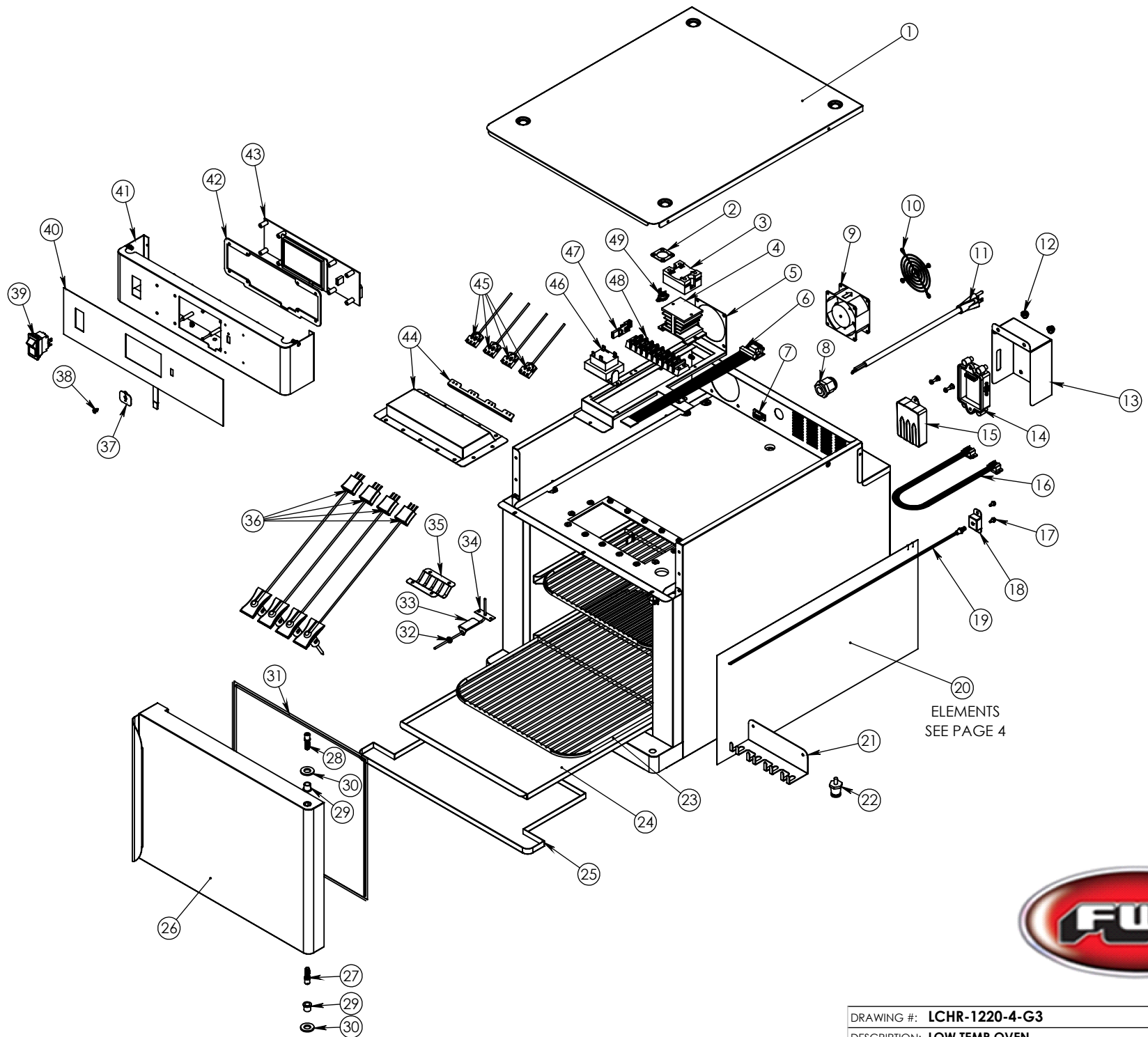
Pg.1 ..... Title Page

Pg.3 ..... LCHR-1220-4-G3  
BOM

Pg.2 ..... LCHR-1220-4-G3  
EXPLODED

Pg.4 ..... ELEMENT PAGE





DRAWING #: <b>LCHR-1220-4-G3</b>	
DESCRIPTION: <b>LOW TEMP OVEN</b>	
DRAWN BY: TC	LAST SAVED BY: tristan71

ITEM NO.	QTY.	PART NO.	DESCRIPTION	ITEM NO.	QTY.	PART NO.	DESCRIPTION
1	1	24952	LCH-1220-4-G3 OUTSIDE TOP	28	1	PIN DOOR	5/16 X 18 X 1" PIN W/SLOT 18-8 SS
2	1	67594	MOUNTING PLATE FOR HI-LIMIT 500DEG	29	2	BEARING-SLV-3-8 DIA	BRONZE FLANGED SLEEVE BEARING 3/8"D
3	1	RLY 25AMP	SS RELAY 25A	30	2	80725	WASHER 1"OD X 1/2" ID 12GA
4	1	SSR HEAT SINK	X50 HEAT SINK - PANEL MOUNT	31	1	GSKT-D-14-375X12-75	SILICONE DR GASKT D 14.375X12.75 4S
5	1	82868	LCHR-1220 COMPONENT MOUNT C	32	1	GRMT-HT-3-16	SILCONE GROMMET 3/16ID X 7/16OD
6	1	CBL DB-9	DB-9 CABLE	33	1	84079	LCHR-1220-4-ARB TEMP PROBE HOLDER
7	1	ADPTR DB9 M	DB9 MALE TO DB9 MALE	34	1	PRB RTD	RTD TEMPERATURE PROBE
8	1	STRN RELIEF LTF 13.5	STRAIN RELIEF HEYCO 3216	35	1	67754	LCH-1220 HEAT PROBE GUARD
9	1	FAN PHTT 115	115V FAN,80 X 80 X 38MM	36	4	PRB CH MT	COOK AND HOLD MEAT PROBE
10	1	GRD FAN	FAN GUARD	37	1	67940	LCH-1220-4-G3 USB COVER
11	1	CRDSET10-115-8	CORD 8' 115V 5-15P 14GA 3WR 10AMP	38	1	RIVET NYLON	NYLON KEYHOLE SHANK RIVET
12	2	N10-24 KNURZ	NUT KNURL 10-24 BRASS ZP	39	1	SWH RCK E1	SWITCH NON-LT ROCKER 125/250V 20AMP
13	1	Z-600-8869	LCH-1220-4-G3 S-POD 2 COVER ASSY	40	1	CNTRL PNL BD AR	BONDED ARBY'S OVERLAY
14	1	S-POD CABLE 2	Connectware Cable Adapter Mount	41	1	Z-600-8502	LCHR-1220-4 GEN2 CNTRL SERVICE KIT
15	1	S-POD 2	ConnectWare module - wifi	42	1	82853	LCHR-1220-4 VAST CONTROL SPCR .09
16	1	S-POD CABLE	CABLE FOR COOK AND HOLD S-POD	43	1	CNTRL BRD-BD LCH 4.3 G3	CONTROL BOARD/BONDED OVRLAY 4.3" G3
17	2	S8-32X375 HEX	SCREW, 8-32X 3/8" TRIM HEX HD, SS	44	1	Z-600-4864	LCH-1220-4-G3 PROBE RTD ASSY
18	1	810552	RESET SWITCH BRKT PROTECTOR	45	1	Z-600-6113	LCH-1220-4 SILICONE PROBE RTD ASSY
19	1	SWH MINI PUSH BUTTON	SWITCH,MOMENTARY MINI PUSH-BUTTN	46	1	TRNS-120-24-20VA	TRANSFORMER 120V/24V 20VA
20	1	ELEMENTS (SEE PAGE 4)	@950 5-15P PLUG	47	1	USB RLY ADPT G3	USB REALY ADAPTER FOR G3 CNTRL
21	1	69016	LCHR-1220-4-ARB MEAT PROBE HOLDER	48	1	TRM BLK-08	TERMINAL BLOCK -8 POLES
22	4	LEG ZN 1	LEGS ZINC - CHROME FINISH 1"	49	1	HI-LIMIT 257 DEG	HI-TEMP SNAP DISC 257 DEG. F AUTO
23	2	SHLF 19X13	WIRE SHELF 19.5 X 13.3125 SS				
24	1	67212	LCH-1220-4-G3 DRIP PAN				
25	1	68317	LCHR-1220-4 OUTSIDE DRIP PAN				
26	1	Z-301-3992 (INCLUDES 27-31)	LCH-1220-4-G3 DOOR ASSY ROD/VMWF FR				
27	1	PIN DOOR 1	5/16 X 18 X 1.375" PIN W/SLOT 18-8				



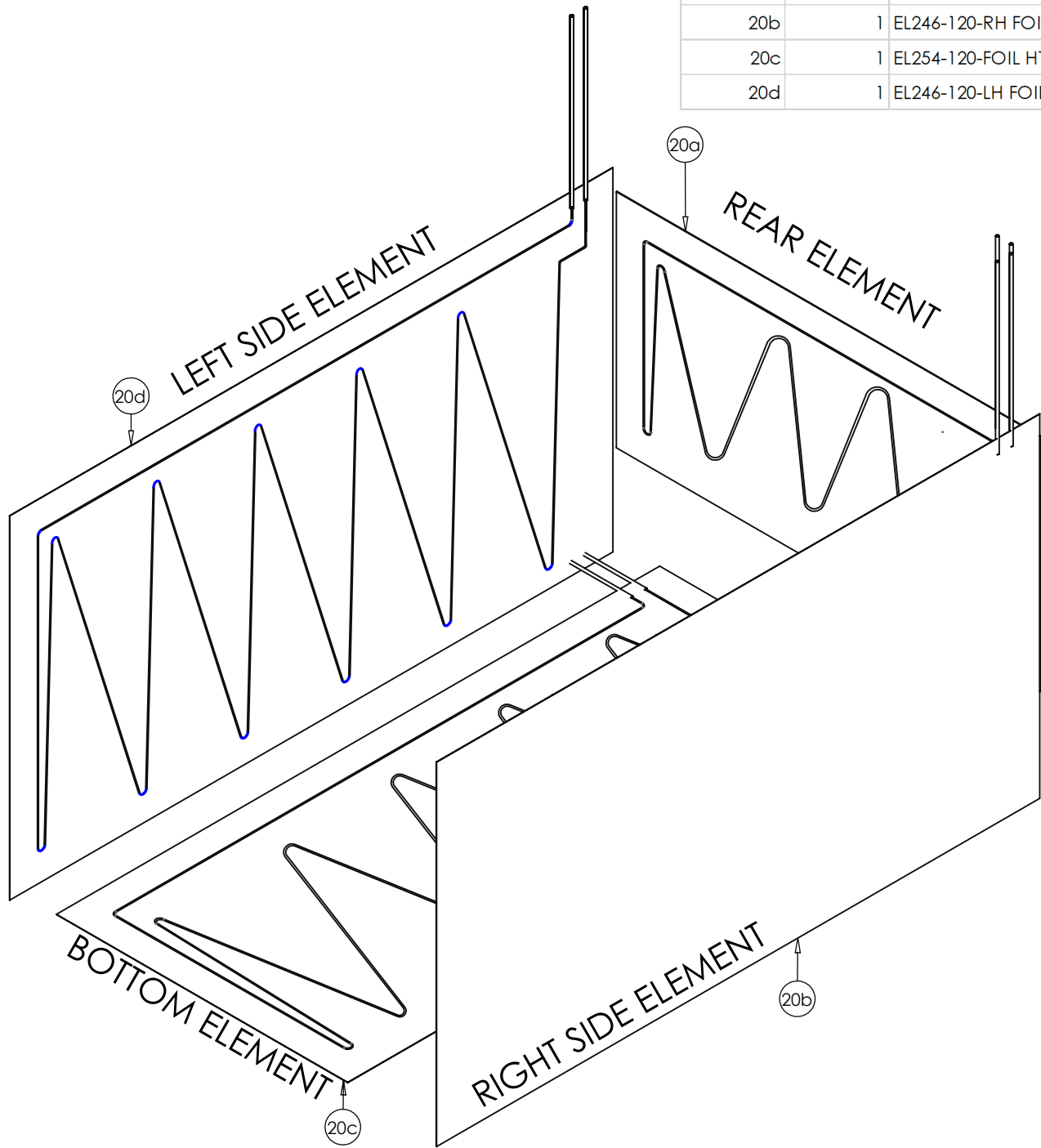
DRAWING #: **LCHR-1220-4-G3**

DESCRIPTION: **LOW TEMP OVEN**

DRAWN BY: TC

LAST SAVED BY: tristan71

20a	1	EL197-120-FOIL HT	ELEMENT 197W 120V FOIL REAR
20b	1	EL246-120-RH FOIL HT	ELEMENT 246W 120V 36" LEAD FOIL RH
20c	1	EL254-120-FOIL HT	ELEMENT 254W 120V FOIL BOTTOM
20d	1	EL246-120-LH FOIL HT	ELEMENT 246W 120V 36" LEAD FOIL LH



DRAWING #: <b>LCHR-1220-4-G3</b>	
DESCRIPTION: <b>LOW TEMP OVEN</b>	
DRAWN BY: TC	LAST SAVED BY: tristan71