



5599 Highway 31 West  
Portland, TN 37148  
(615)325-2774

# LCH-6-G2

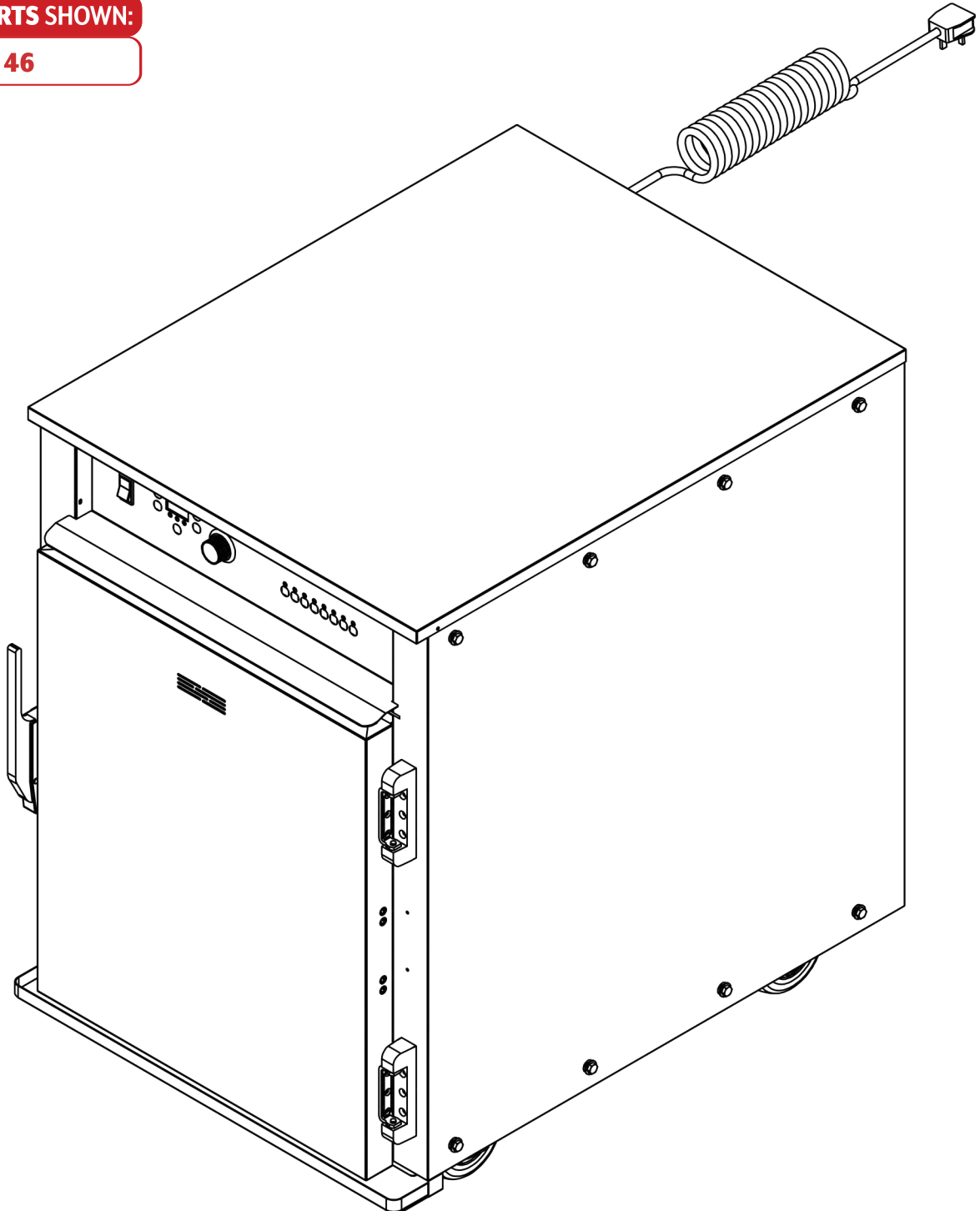
Pg.1 .....TITLE PAGE

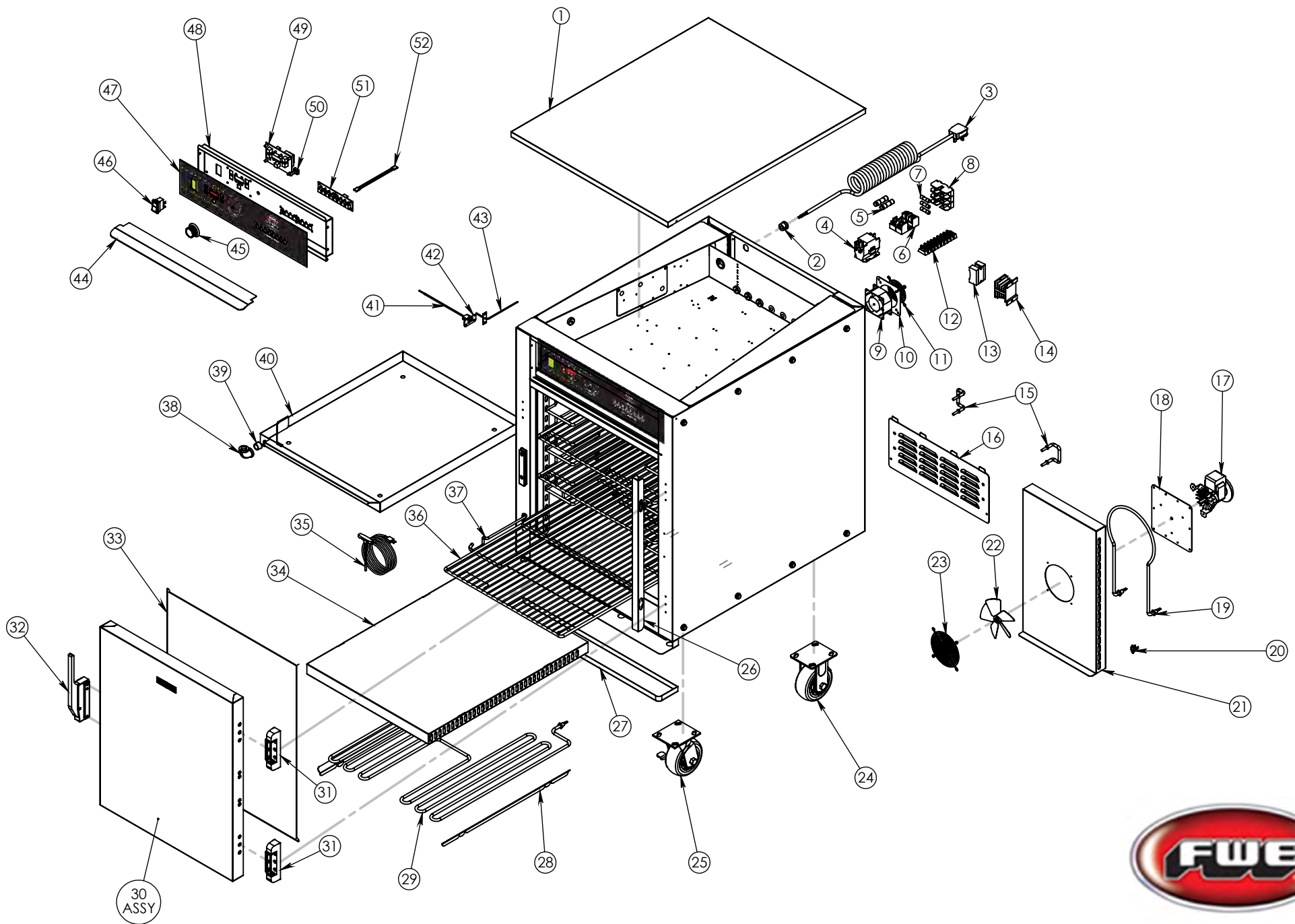
Pg.3 .....LCH-6-G2 BOM

Pg.2 .....LCH-6-G2

**OPTIONAL PARTS SHOWN:**

**#3, 17, 46**





DRAWING #: <b>LCH-6-G2</b>	
DESCRIPTION: <b>COOK &amp; HOLD OVEN</b>	
DRAWN BY: DP	LAST SAVED BY: dplodzien

ITEM NO.	QTY.	PART NO.	DESCRIPTION
1	1	24917	LCH-6 OUTSIDE TOP
2	1	BSH STRN 4	STRAIN-RELIEF BLK SR 8P-2
3	1	CRDSET-13-250-NS	CORDSET UK 13A/250V UK SPIRAL
4	1	CONTACT-2POLE-208-240-40	CONTACTOR RELAY 2-POLE 208/240V 40A
5	2	FS-FRN-R20	FUSE 20 AMP 250V RK5 TD FUSE
6	3	FSHLDR-30AMP-LCH	HKP FUSEHOLDER 30 AMP
7	3	FS-LP-MID-10AMP	FUSE 10 AMP LOW PEAK MIDGET (LP-CC)
8	3	FSHLDR-MID-30-1	HKP FUSEHOLDER 30 AMP LCH
9	2	FAN PHTT 230	SUNON 230V FAN,80 X 80 X 38MM
10	2	54932	FAN MOUNT PLATE 3-125 SQ
11	2	GRD FAN	FAN GUARD
12	1	TRM BLK-08	TERMINAL BLOCK -8 POLES
13	1	RLY 50AMP	SSR RELAY 50A 230V
14	1	SSR HEAT SINK	X50 HEAT SINK - PANEL MOUNT
15	2	BRK CRD 1	BRACKET CORD WINDING
16	1	53454	HUMITEMP LOUVER PANEL W/TABS
17	1	BLWR-208-240-50 NH	BLWR ASSY 208/240V 50HZ NO HSG 1800
18	1	59537	MOTOR MOUNTING PLATE
19	1	EL1250-240-LCH	P-ELEMENT 1250 WATT 240 VOLT
20	1	HI-LIMIT 400 DEG	HI-TEMP SNAP DISC 400 DEG. F AUTO
21	1	59933	LCH-6 BACK TUNNEL
22	1	BLD FAN HR .25	FAN BLADE ALUMINUM 5-1/2" 5-BLADES
23	2	GRD FAN EBM 4000	GUARD FAN EBM 4000
24	2	CSTR 52-R-PPF	CASTER 5X2" EZ ROLL RIGID POLY BLUE
25	2	CSTR 52-SB-PPF	CASTER 5X2" EZ ROLL SWIVL POLY BLUE
26	4	59944	LCH-6 UPRIGHT
27	1	68765	LCH-G2 DRIP PAN
28	2	65946	LCH-6 DIVERTER PLATE
29	1	EL1250-240	ELEMENT 1250 WATT 240 VOLT
30	1	Z-301-3763 (INCLUDES 31-33)	LCH-6 DOOR EDG/MAG PRSS GSKT VNT RH

31	2	HNG-217	DOOR HINGE EDGEMOUNT 1.375" REF
32	1	LTH DR MAG-RH	DOOR LATCH EDGEMOUNT BLACK MAGNETIC
33	1	GSKT-D-27X23-125	SILICONE GASKET D-27X23.125
34	1	66918	LCH-6 BOTTOM ELEMENT COVER
35	1	PRB MT RTD-2	RTD MEAT PROBE - MOLDED HANDLE
36	3	SHLF-SS-21X27	SHELF STAINLESS STEEL 21"X27.5"
37	10	SLD-UHS245-SS	TRAY SLIDE STAINLESS STEEL UHS245 SS ELECTRO-POLISH
38	1	ELB90-SS-50	ELBOW S/S 1/2" PIPE
39	1	PIPE-NIPPLE-SS-50-FLTRD	PIPE NIPPLE SS 50X150 FULL THREADED
40	1	Z-600-4508 (INCLUDES 38 & 39)	LCH-6 DRIP PAN
41	1	PRB RTD 36	RTD THERMOCOUPLE ASSY 36"
42	1	67125	PROBE THERMO COUPLE MOUNTING BRKT
43	1	PRB RTD	RTD TEMPERATURE PROBE
44	1	69030	LCH-6-G2 CONTROL HEAT GUARD
45	1	KNB H6 SS	KNOB WITH ARROW AND SET SCREW
46	1	SWH RCK HY60	SWITCH NON-LT ON/OFF ROCKER BLK
47	1	CNTRL PNL S-LCH-PRGM	LCH OVERLAY SINGLE CAVITY PROGRAM
48	1	69764	LCH-6 M-WAVE CNTRL HOUSING 8B
49	1	CNTRL BRD LCH PRGM 240	CONTROL BOARD PROGRAMABLE 240V LCH
50	1	CNTRL PNL ENCODER	ENCODER FOR LCH CONTROLLER
51	1	CNTRL BRD LCH PRGM 8	8 BUTTON PREST CNTRL BRD W 8 GR LED
52	1	CBL LCH 17	CNTRL BRD LCH PRGM CABLE 17"



DRAWING #: **LCH-6-G2**

DESCRIPTION: **COOK & HOLD OVEN**

DRAWN BY: DP

LAST SAVED BY: dplodziem